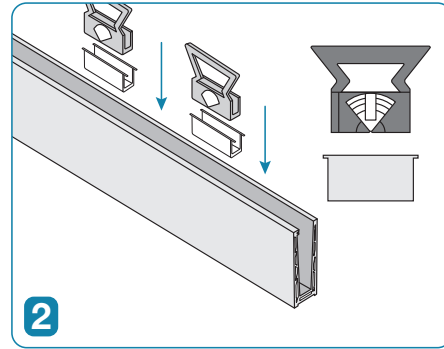
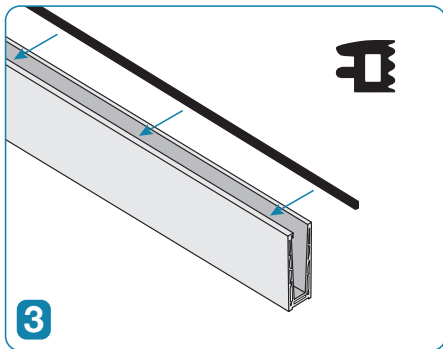


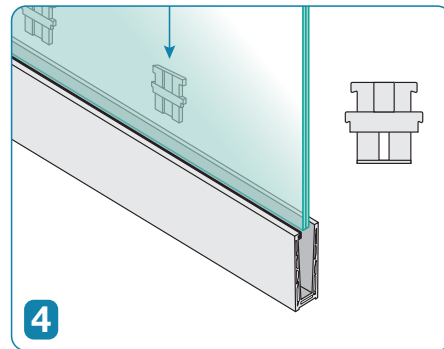
1
Fix down channel securely



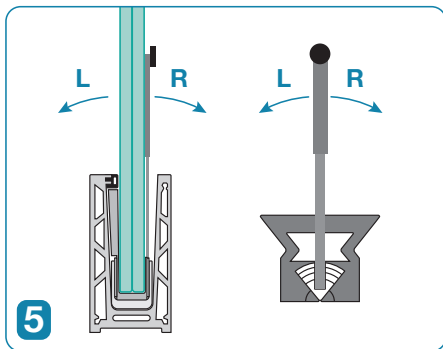
2
Drop adjustable wedges and holders into channel and space evenly



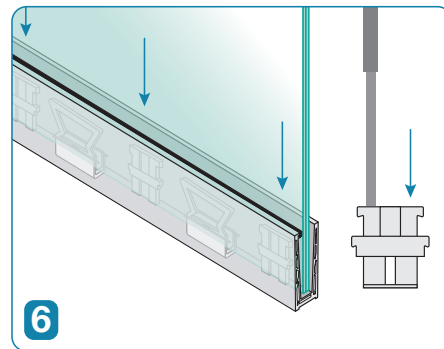
3
Fit rubber strip into groove at the top of channel



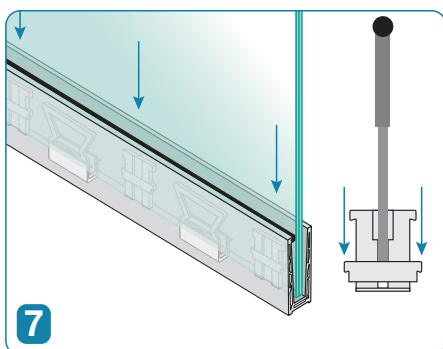
4
Fit glass followed by push down wedges



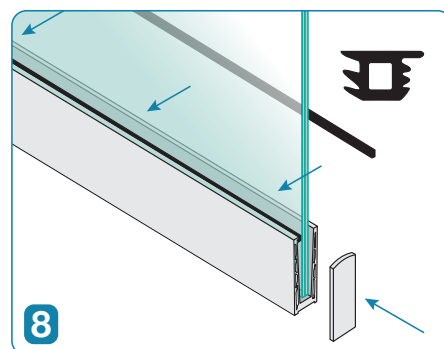
5
Adjust position of glass using the adjustment tool and rotating wedges



6
Push down the top section of the push down wedges to secure the glass



7
Push down on the lower section of the push down wedges to fix the glass in position



8
Fit second rubber strip and end caps to finish the installation

Updated: 15-04-2021