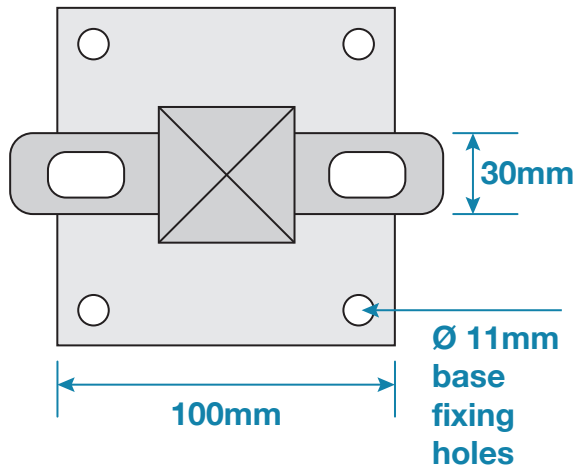
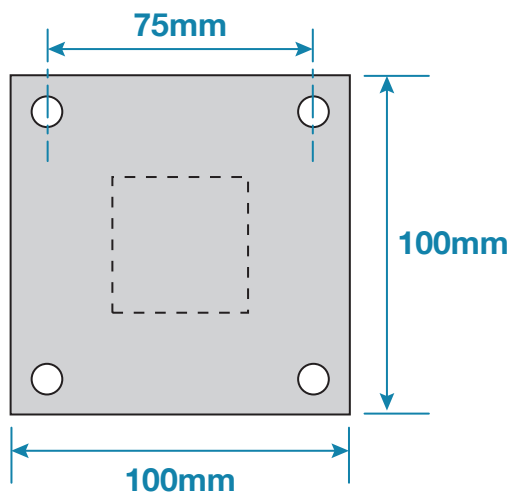


Top view



Bottom view



40 x 40mm
box section
2mm wall
thickness

