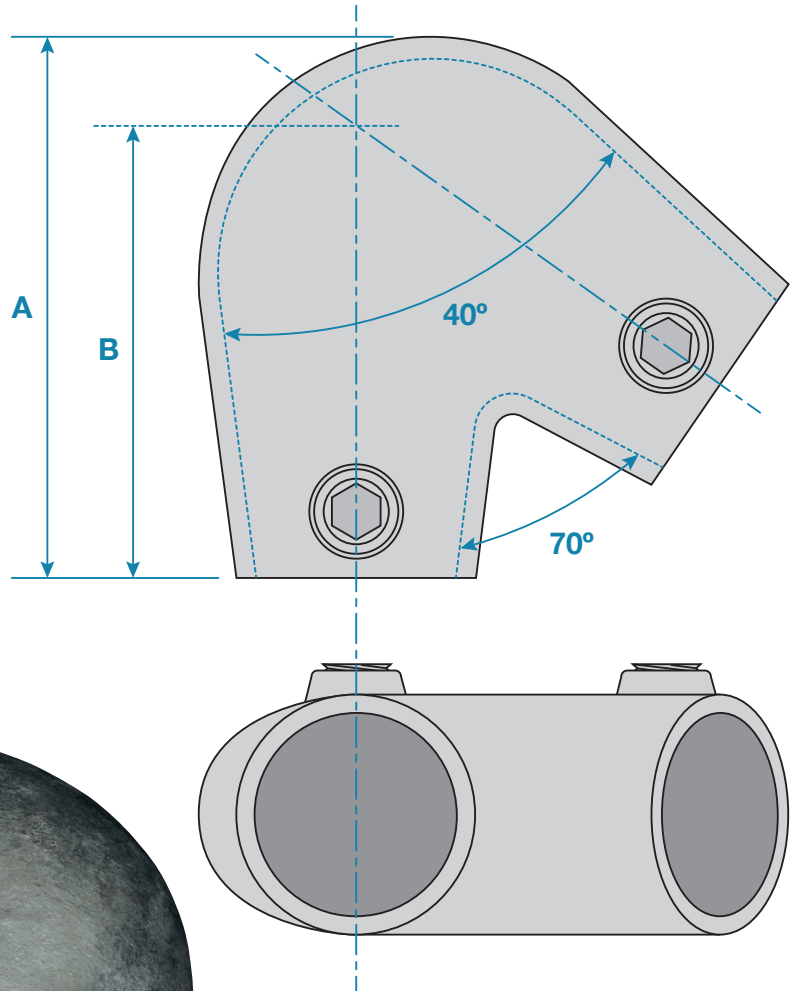


A variable elbow 40° - 70° , often used to join staircase top rail to upright at top end of a staircase.



Code	A	B	Weight
KC123C	120mm	90mm	0.91kg
KC123D	134mm	112mm	1.29kg