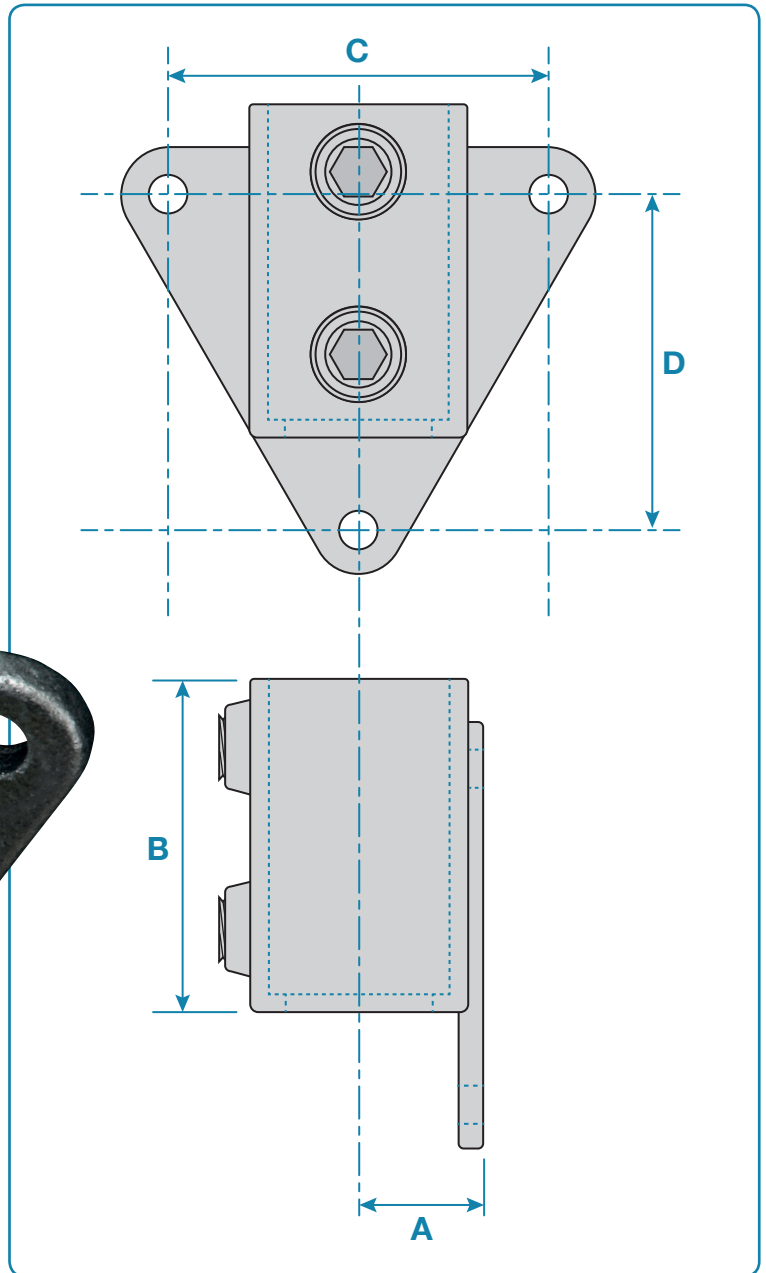


A flush side palm base fixing for fixing level or sloping guardrails to walls, steps ramps etc. The flush design enables uprights to be tight to the structure. The tube is unable to pass through this fitting, should this be required then the base must be reamed out.



Code	A	B	C	D	Hole dia.	Weight
KC146B	25mm	79mm	71mm	65mm	11mm	0.59kg
KC146C	29mm	87mm	81mm	70mm	11mm	0.78kg
KC146D	32mm	92mm	86mm	75mm	11mm	0.94kg