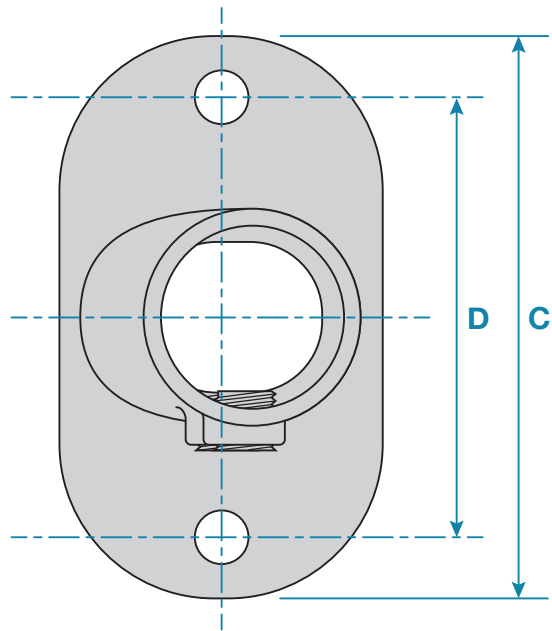
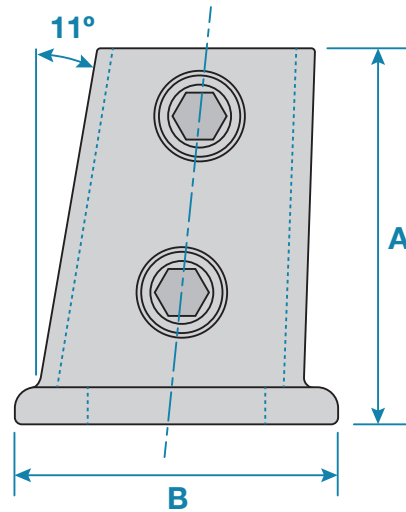


An oval base flange used on sloping guardrail system between 0° and 11°. Typically used on slopes or ramps for uprights.



Code	A	B	C	D	Hole dia.	Weight
KC152C	100mm	90mm	140mm	100mm	14mm	1.15kg
KC152D	102mm	97mm	155mm	110mm	14mm	1.43kg