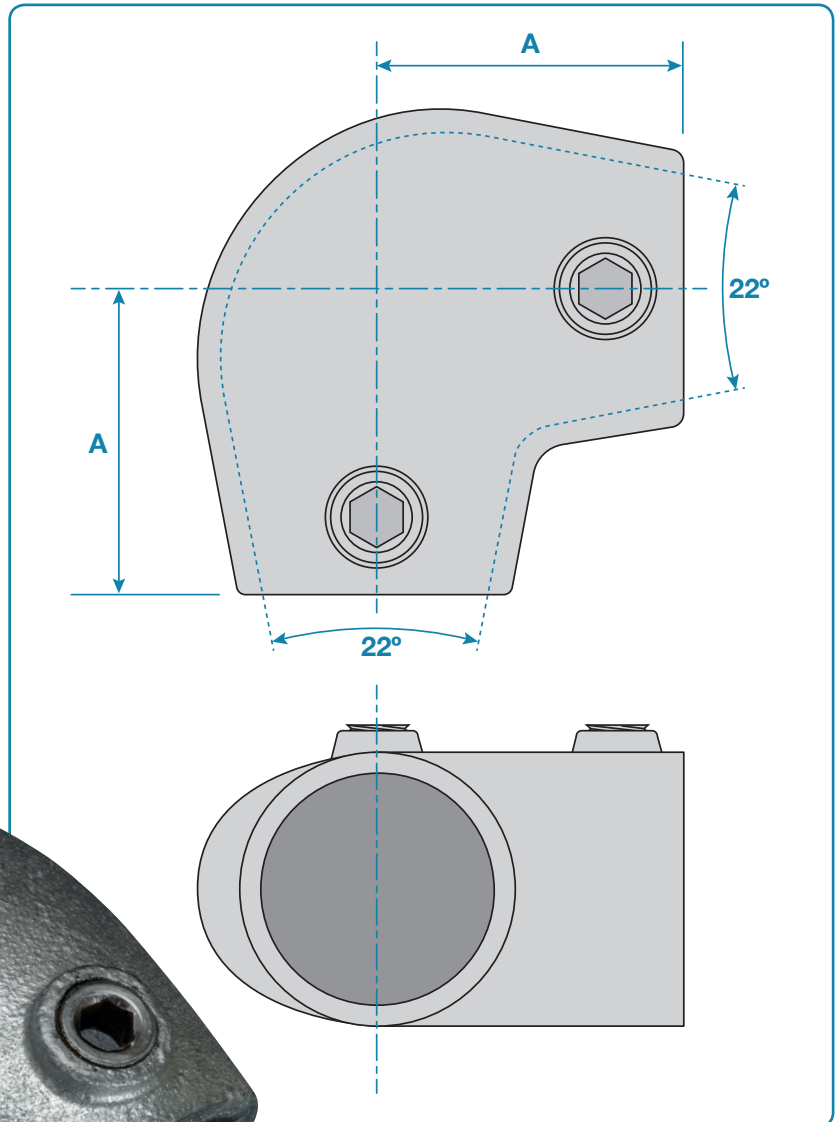


A slope elbow, adjustable between 0° and 11°. Typical used on guardrail to connect the vertical post to the top rail. It is normally used in conjunction with KC153 when building a two or three rail guardrail. Can be used at the top or bottom of a slope.



Code	A	Weight
KC154A	60mm	0.68kg
KC154B	68mm	0.91kg