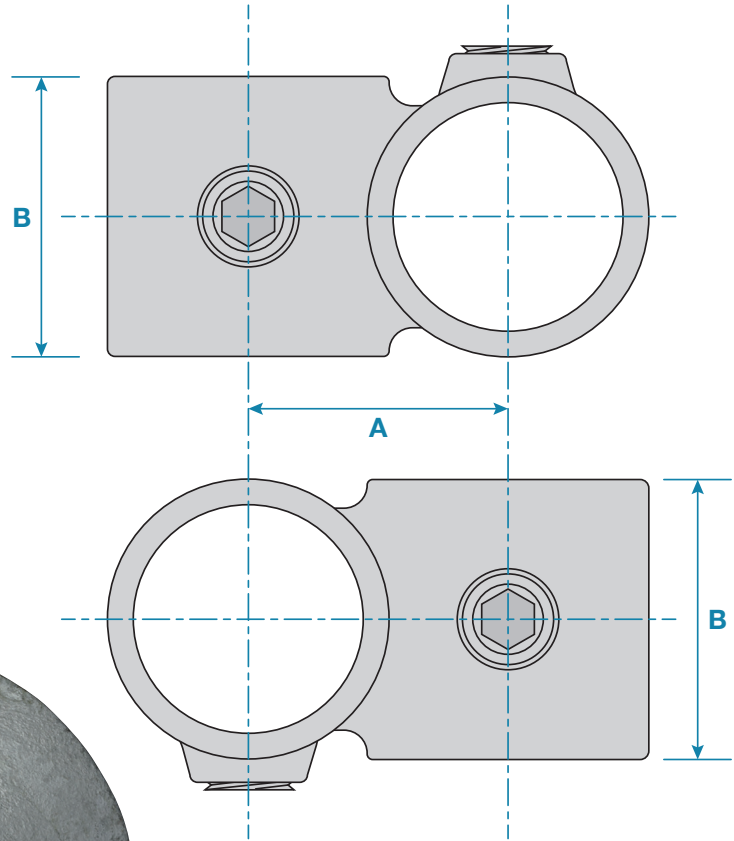


An offset 90° crossover fitting for same size tube, typically used for the construction of racking systems. This clamp does not allow tubes to be joined within the fitting.



Code	A	B	Weight
KC161A	33mm	33mm	0.21kg
KC161B	41mm	41mm	0.33kg
KC161C	50mm	50mm	0.51kg
KC161D	56mm	56mm	0.67kg
KC161E	68mm	68mm	0.99kg