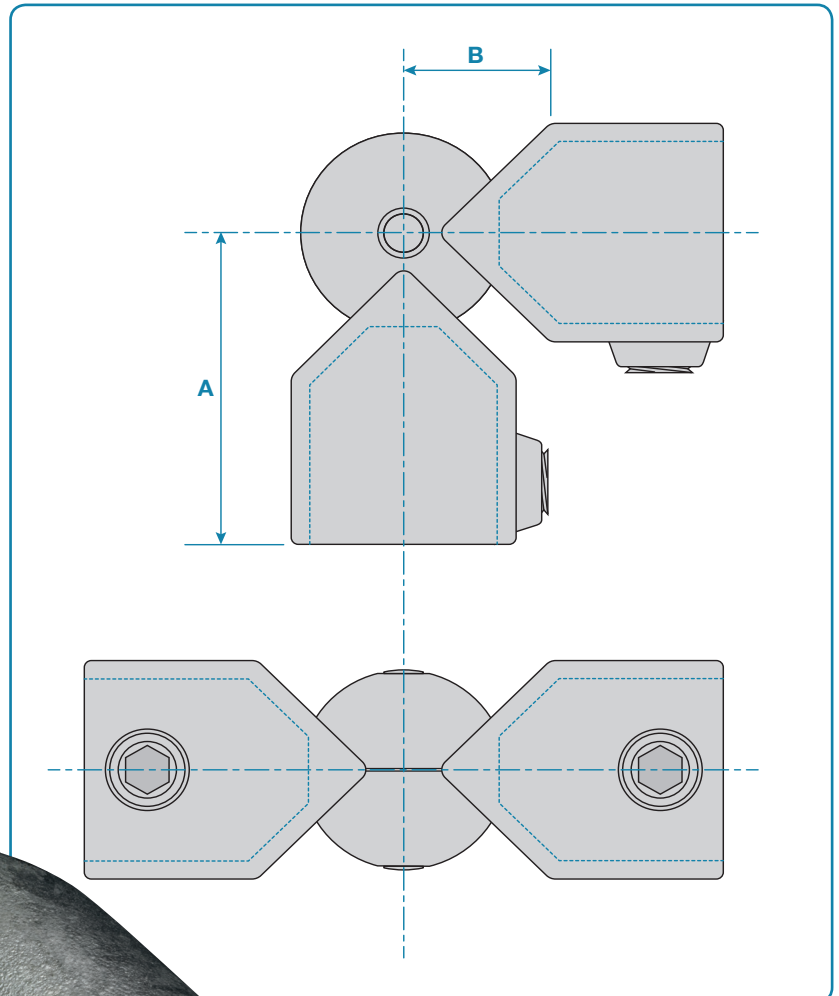


A variable elbow for creating angle joints without the need to bend the tube. It enables the connection of two tubes of the same size.



Code	A	B	Weight
KC166B	66mm	32mm	0.61kg
KC166C	78mm	37mm	0.92kg
KC166D	86mm	40mm	1.22kg