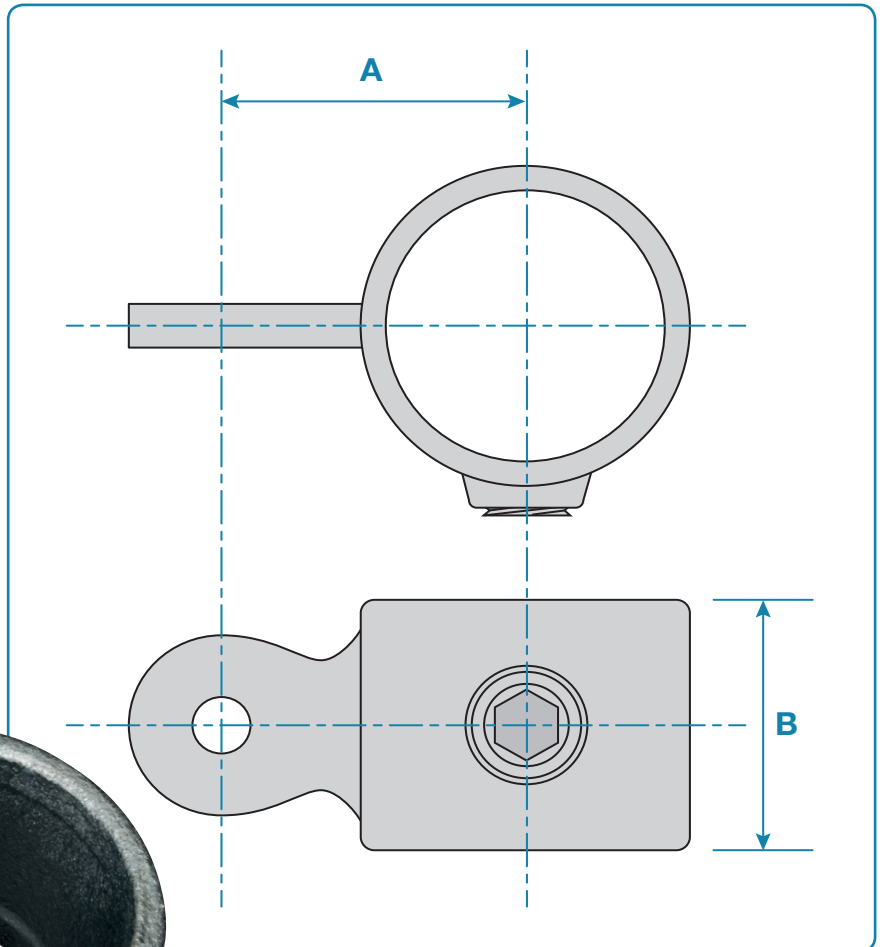


A single male in-line fitting with one lug, the male part of the KC173 swivel combination, it can also be used to secure various types of infill panel in place. THIS CLAMP IS NOT DESIGNED TO WITHSTAND LATERAL LOADS.



Code	A	B	Weight
KC173MA	35mm	32mm	0.20kg
KC173MB	45mm	38mm	0.24kg
KC173MC	45mm	45mm	0.33kg
KC173MD	55mm	45mm	0.37kg
KC173ME	60mm	50mm	0.51kg