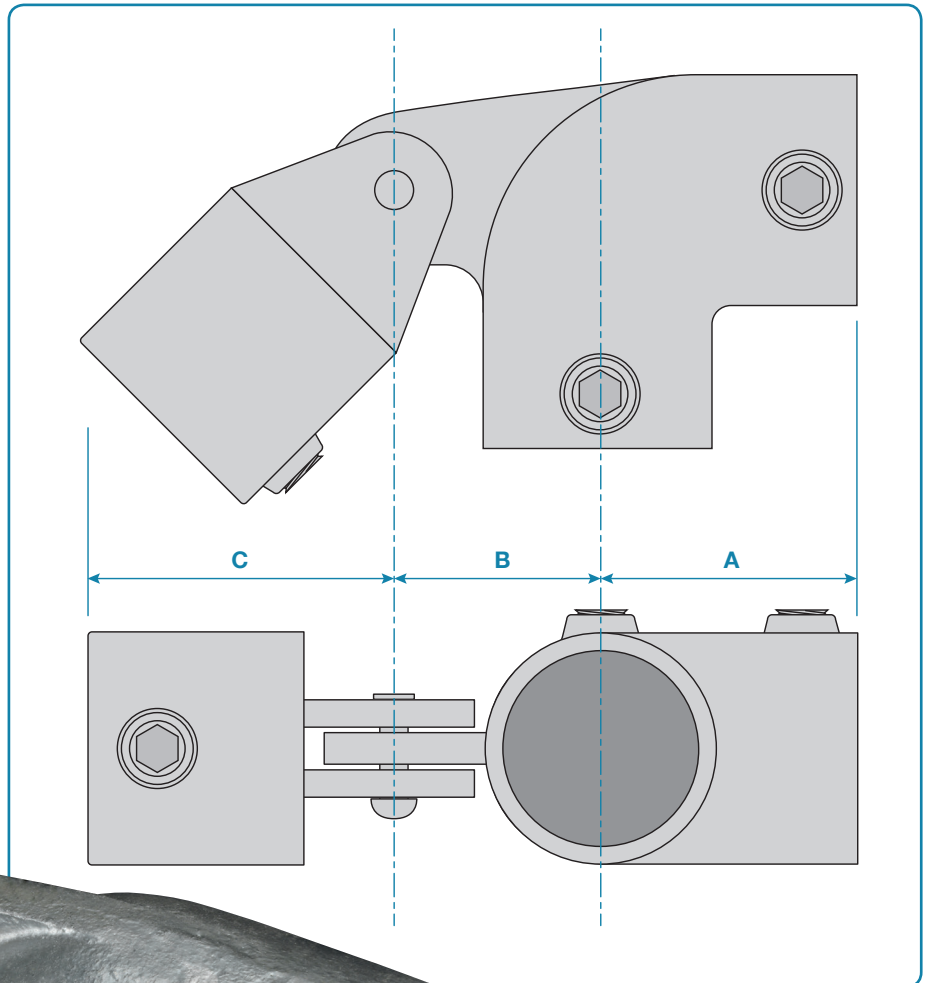


A 90° Elbow with swivel connection. Typically used as a brace where staircase top rails join level sections, riveted assembly. This clamp does not allow tubes to be joined within the fitting.



Code	A	B	C	Weight
KC175D	72mm	50mm	75mm	1.52kg