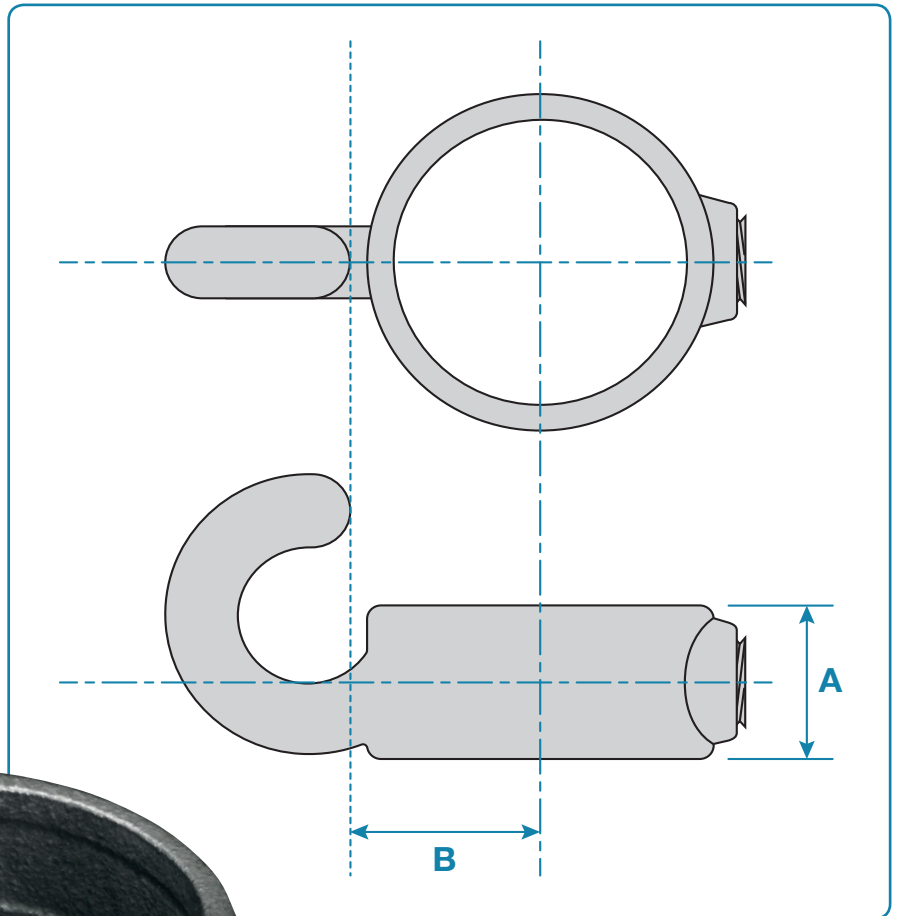


A simple hook parallel to the tube direction, typical use is for locating chains in place across openings. It is not recommended as a permanent chain location. This clamp does not allow tubes to be joined within the fitting.



Code	A	B	Weight
KC182A	24mm	23mm	0.15kg
KC182B	24mm	34mm	0.17kg
KC182C	28mm	39mm	0.24kg
KC182D	28mm	41mm	0.27kg