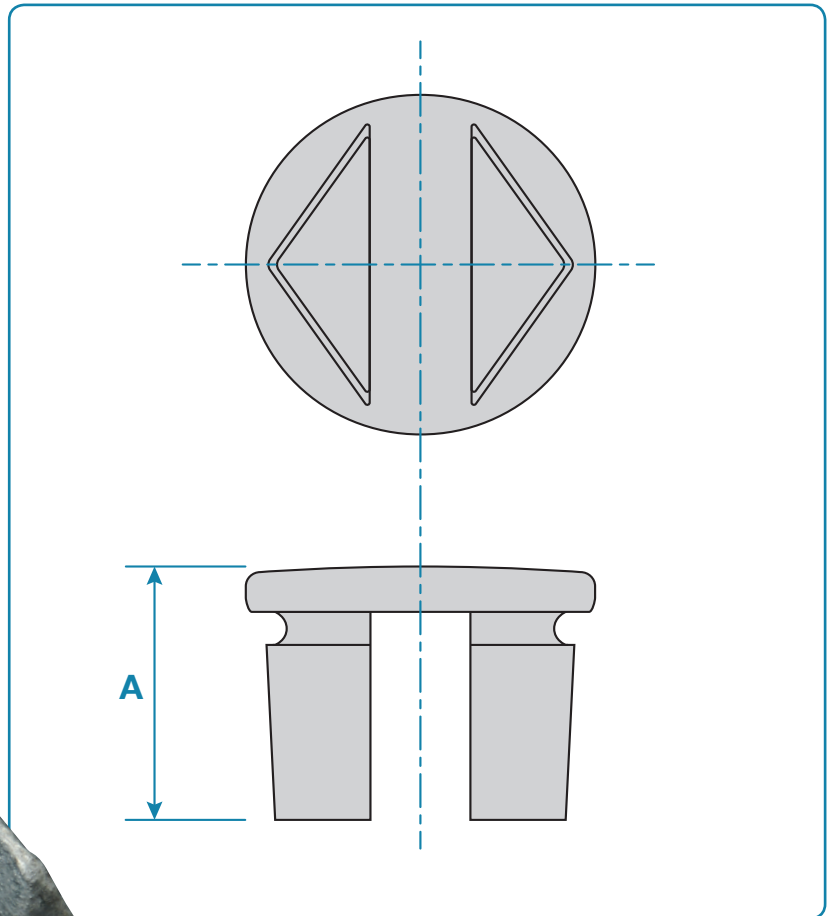


A metal stop end cap for sealing the open ends of tubes, It is a drive in fit that is difficult to remove, no need for adhesive.



Code	A	Weight
KC184B	26mm	0.08kg
KC184C	27mm	0.12kg
KC184D	29mm	0.17kg