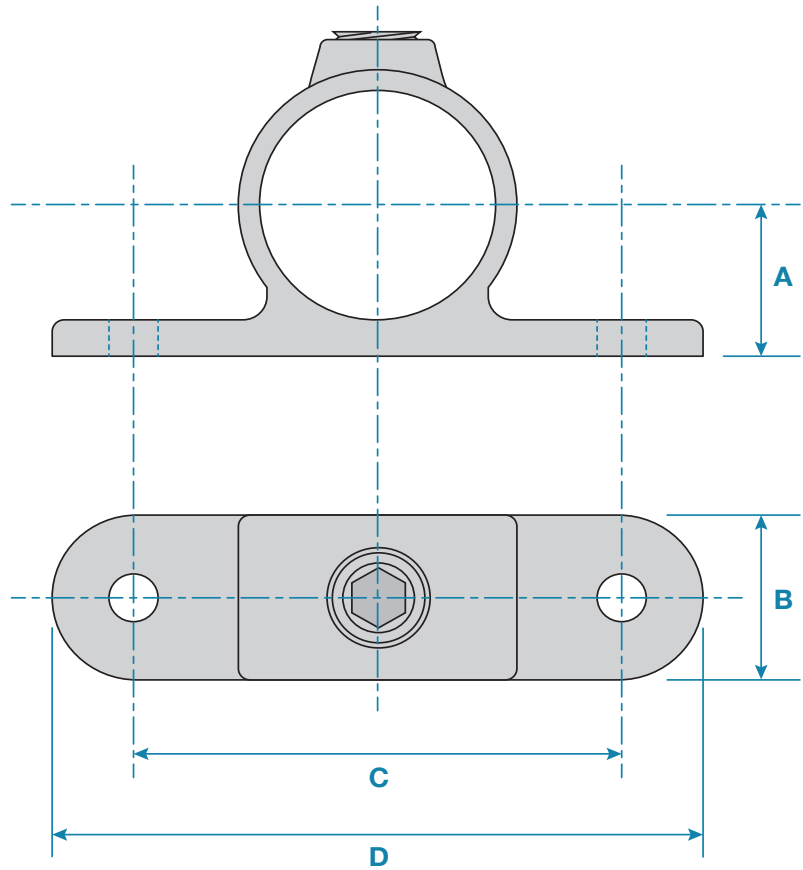


A double lugged fixing bracket, normally used to fix boards or display panels almost flush to the tube. This clamp does not allow tubes to be joined within the fitting.



Code	A	B	C	D	Weight
<b>KC198B</b>	26mm	32mm	88mm	120mm	0.32kg
<b>KC198C</b>	30mm	36mm	98mm	134mm	0.46kg
<b>KC198D</b>	33mm	36mm	104mm	140mm	0.51kg