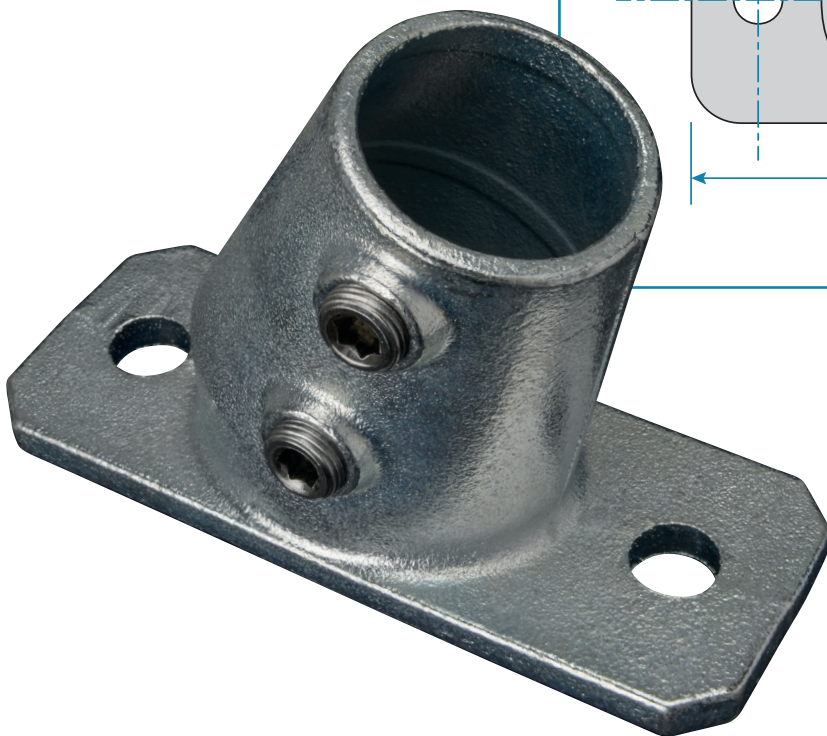
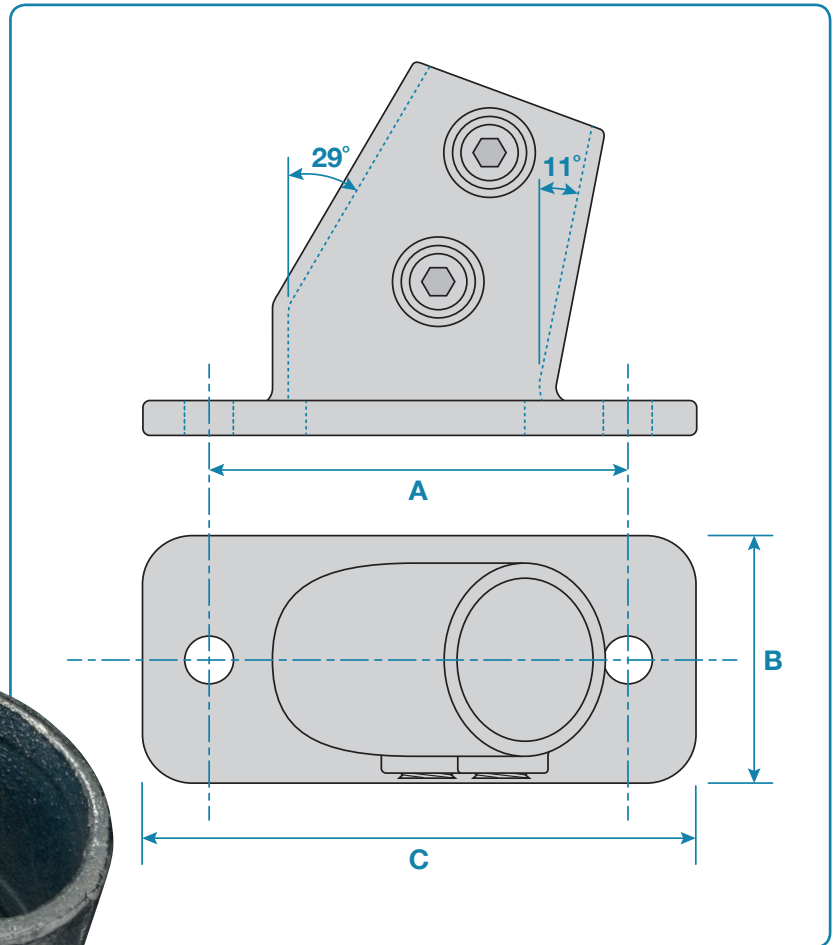


A base flange for sloping sites, adjustable from 11° and 30°. As the fixing holes in the base are not in line with applied load, it is only intended for light loads or structures which are sufficiently supported by virtue of their design.



Code	A	B	C	Hole dia.	Weight
KC252B	125mm	75mm	165mm	14mm	1.53kg