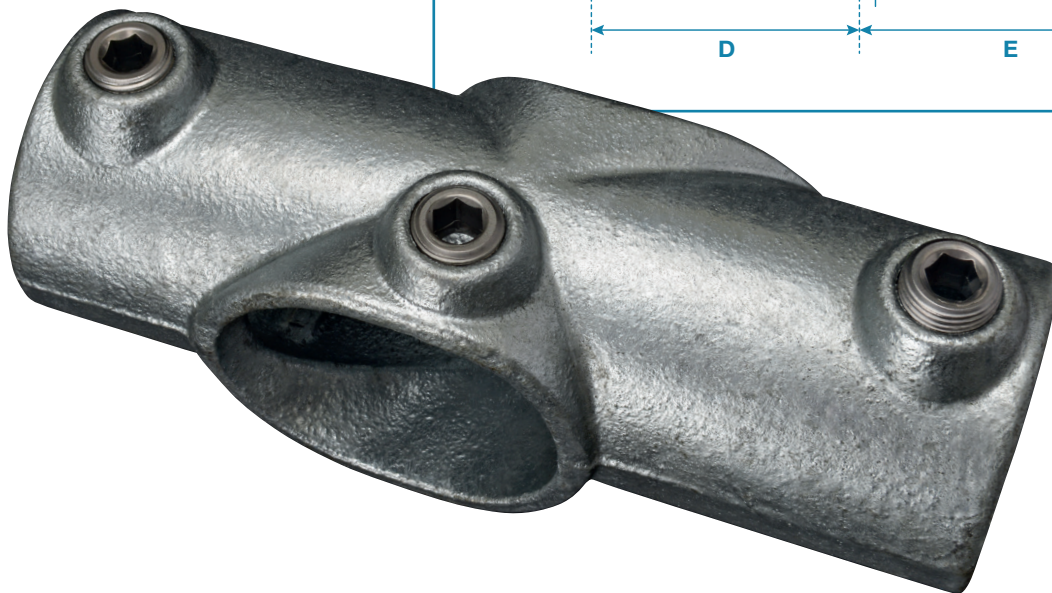
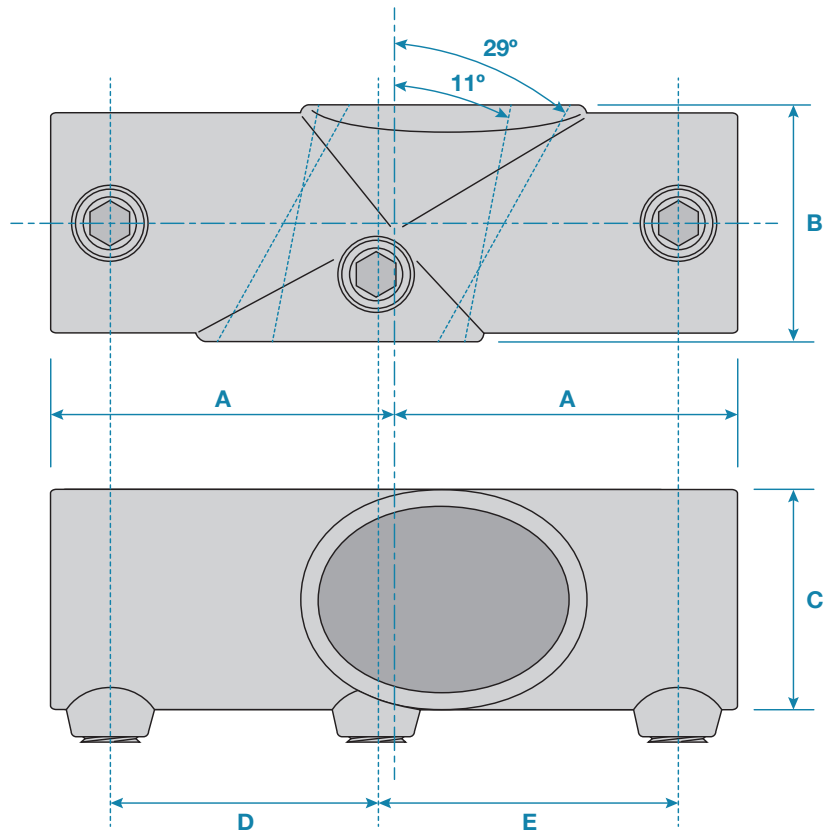


A long slope tee fitting, used on sloping guardrail between 11° and 29°. Typical used in conjunction with KC253 or KC256 when building a 2 or 3 rail guardrail. This clamp can be used where the through tube has to be joined within the fitting.



Code	A	B	C	D	E	Weight
KC255C	82mm	58mm	56mm	70mm	60mm	0.91kg
KC255D	93mm	65mm	60mm	70mm	82mm	0.98kg