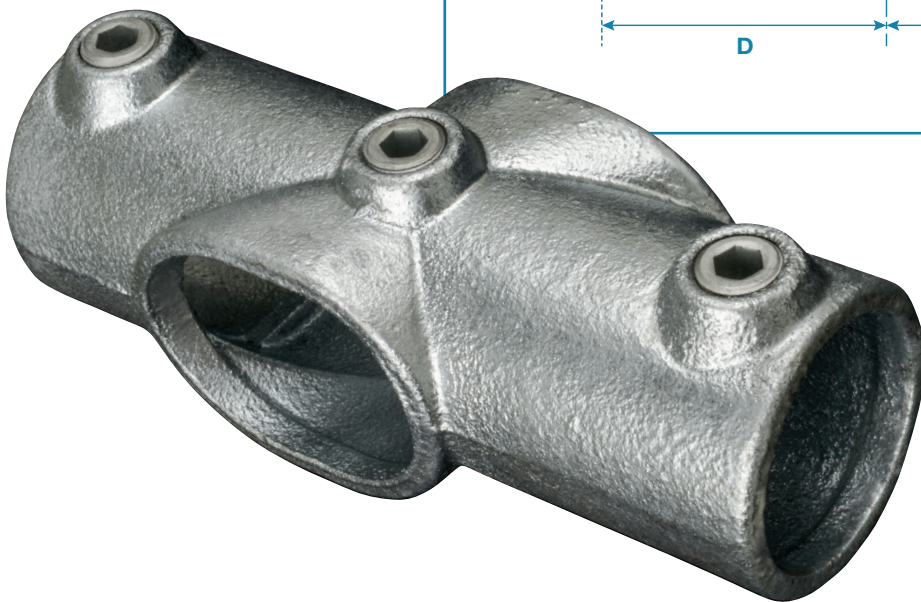
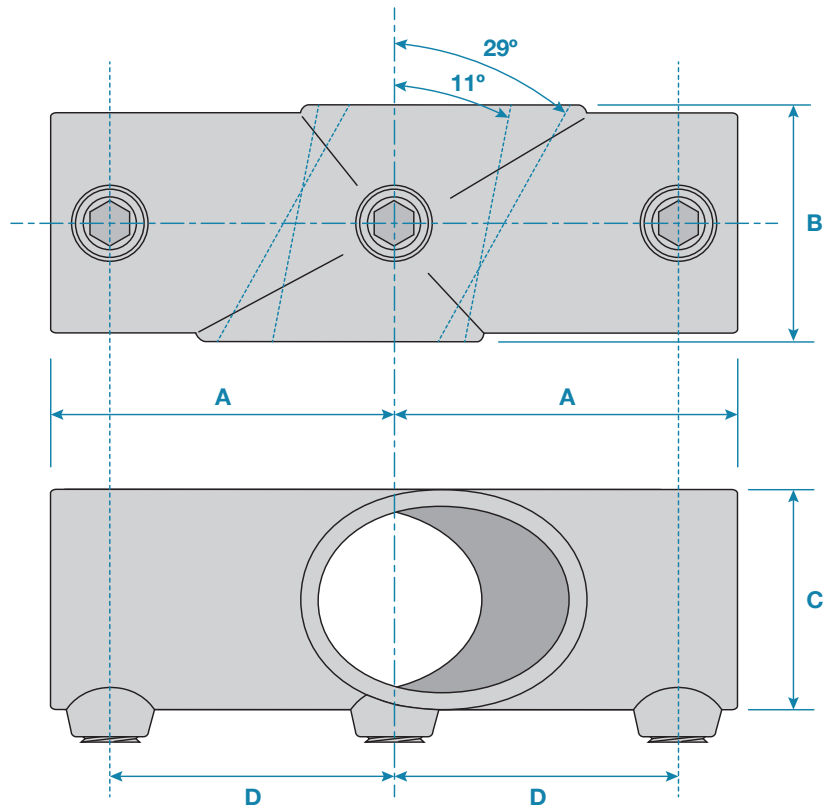


A long slope cross fitting, used on sloping guardrail between 11° and 29°. Typical used to connect the mid/lower rail to the vertical. It is normally used in conjunction with KC253 or KC255 when building a 2 or 3 rail guardrail.



Code	A	B	C	D	Weight
<b>KC256C</b>	81mm	60mm	56mm	65mm	0.88kg
<b>KC256D</b>	93mm	65mm	60mm	75mm	0.98kg