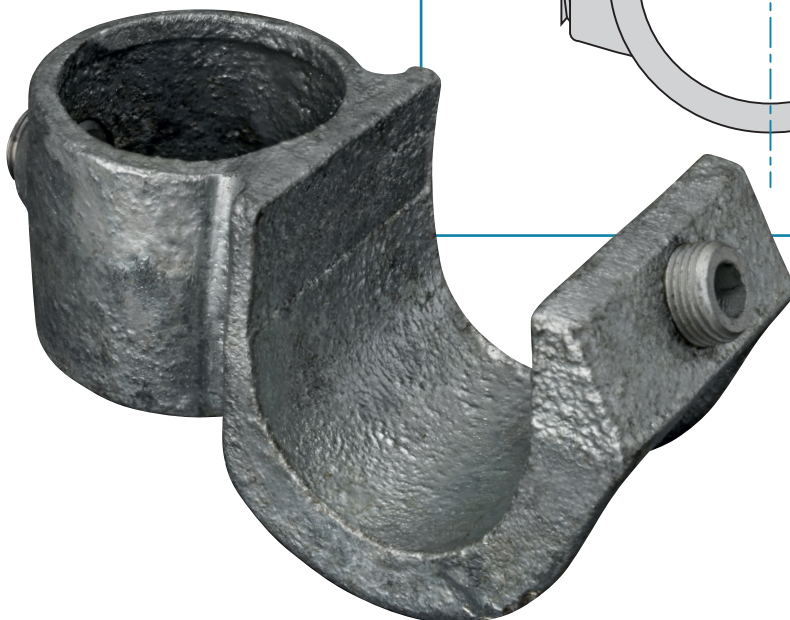
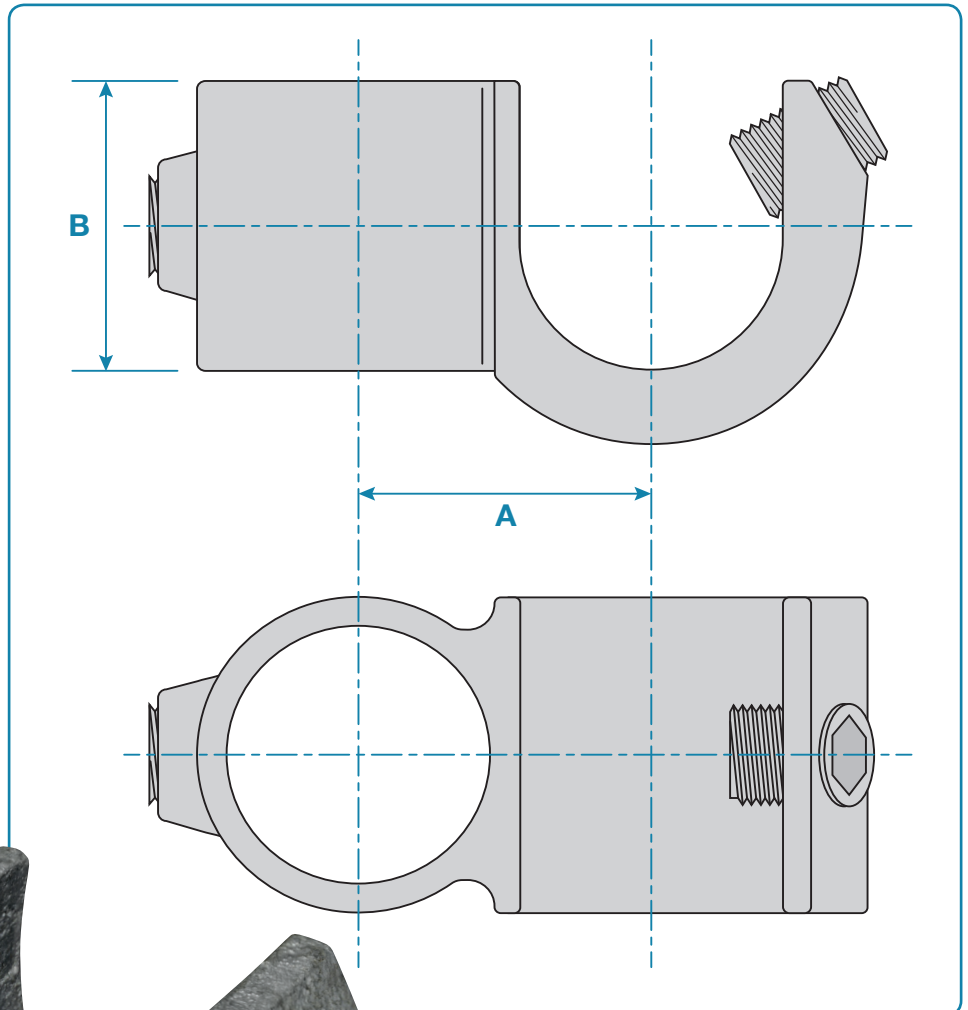


An add on 90° crossover designed to give a 90° crossover joint used for making additions or alterations to existing structures without having to dismantle part or all of the structure. This clamp does not allow tubes to be joined within the fitting.



Code	A	B	Weight
KCG234	56mm	56mm	0.99kg