

SURFACE MOUNTED ELECTRIC KEEP



Discover the Modulec, an electric strike for surface mounted locks. Thanks to the Quick-Fix fixation, the installation is very easy and ultra fast. Extra flexibility is guaranteed since the Modulec is easily interchangeable with the SA and SH keeps. Can be connected to both 12V - 24V and AC/DC.



- ✓ 100% MODULARITY & FLEXIBILITY
- ✓ ENERGY EFFICIENT
- ✓ EXTRA SECURITY WITH MODULEC SH
- ✓ EASY & FAST INSTALLATION
- ✓ EXTRA DEEP LOCKING
- ✓ EXCELLENT QUALITY



Modularity



Ease of Installation

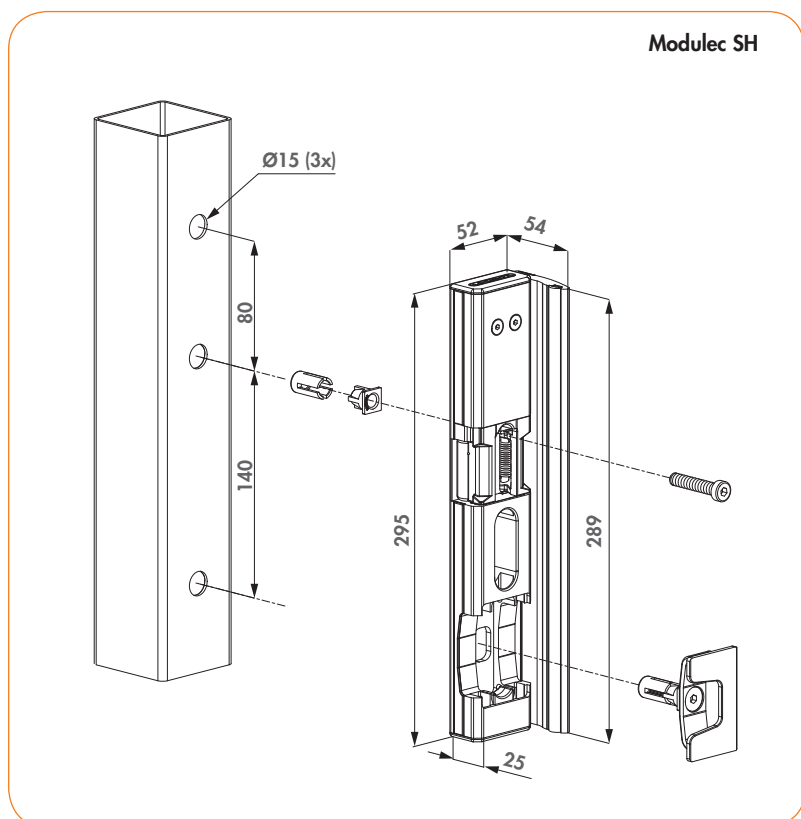
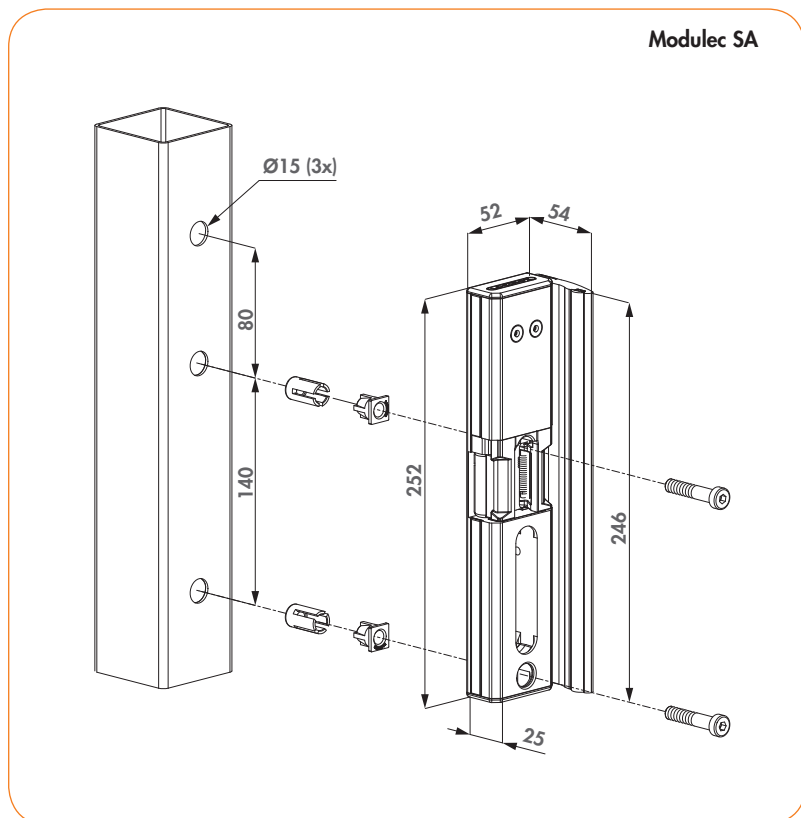


Trusted Quality



Full Support

TECHNICAL DRAWINGS



CHARACTERISTICS

- Extensive colors
ALUM 6005 7016 9005
- Tested at 500.000 movements
- Deep locking latch bolt (15mm) and night bolt (25mm)
- Resistance to pressure on the latch bolt: 300 kg
- Fast and easy fixing: Quick-Fix
- Easy left or right changing
- Extremely corrosion-resistant: aluminium powder-coated housing
- For gate profiles: 40 mm or more
- Adjustable for profiles: 40 - 60 mm
- Voltage: 12V-24V AC/DC
- Consumption: 12V-1,25A / 24V-0,62A
- Power: 15W

CHOICE OF 2 VERSIONS

- Choose the Modulec SA or the Modulec SH with extra security

ALL-IN-ONE MODULEC KIT

- Set with Modulec SA or SH keep, SlimStone keypad and power supply



LOCINOX NV.
B2B-PORTAL
Fast and easy online ordering

ORDER TODAY

We welcome you on our B2B portal. Within 24h your order is shipped. Moreover, receive 10€ discount on every order with the 'LOCINOX' promotion code.



INSTALL ULTRA FAST

The Modulec is very easy and very quick to install. Discover the video for a step-by-step installation on our website, or scan the QR code.