

# Palisade Fence Installation

Mark out on the ground the line of the fence using a string line and pegs. Based on the width of the rails mark the positions of the fence posts.

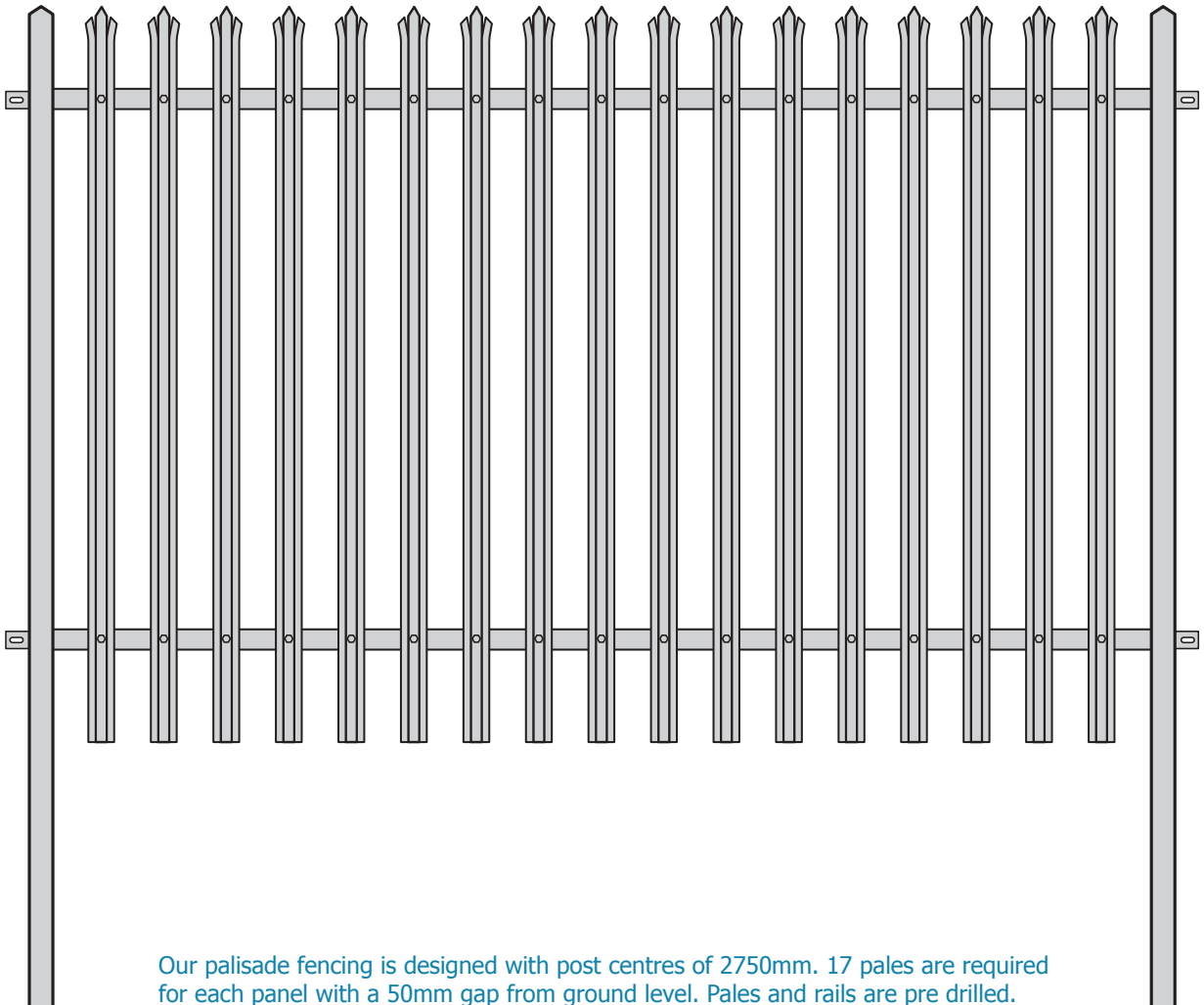
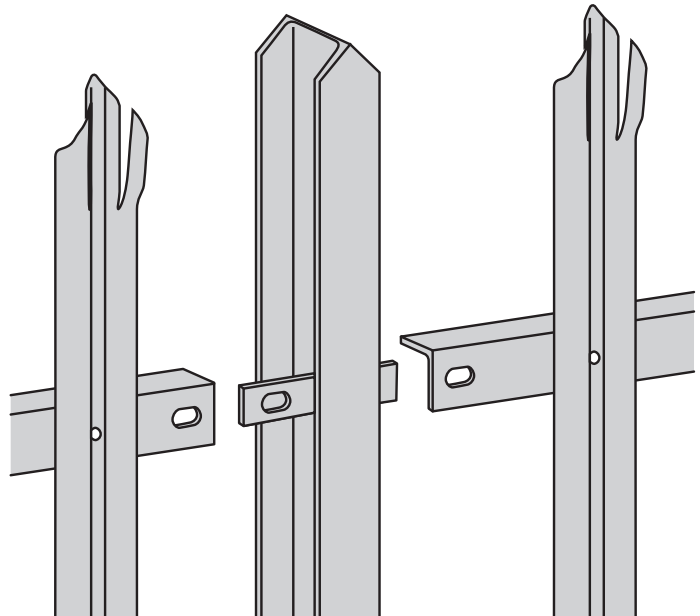
Dig the holes to the required depth, to accommodate the fence posts. Insert the first post into the dug hole and use a spirit level to ensure that it stands vertically. Add postcrete to the hole around the fence post.

Dig the next post hole. Do not try and install all the posts at the same time. Instead, work one post and panel at a time, as any errors in measuring the post distances will be harder to correct once the posts are set in place.

Insert the fishplates through the slots in the posts. Secure the rails to the fishplates using the large bolts from the fixing kit. Fix the pales on to the rails using the smaller bolts.

Once you are happy everything is level and true, fully tightened all fixings so that the nuts shear off.

Finally ensure all scuffs, marks and cut surfaces are treated with matching touch up paint.



Our palisade fencing is designed with post centres of 2750mm. 17 pales are required for each panel with a 50mm gap from ground level. Pales and rails are pre drilled.