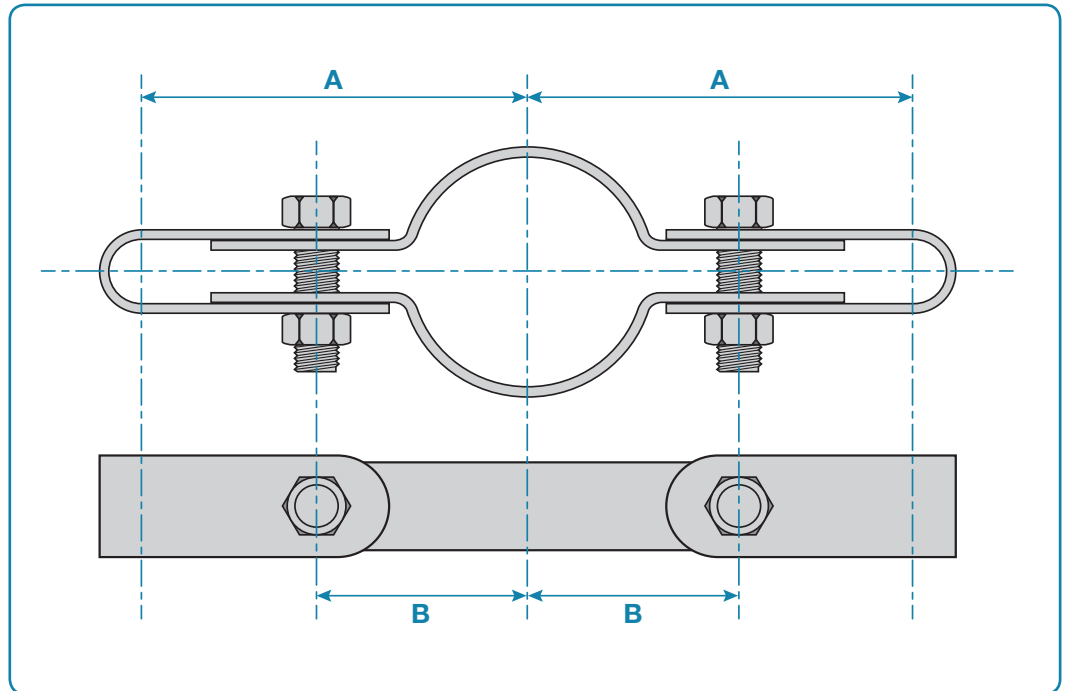


A double panel clip, typically used for retaining weld mesh panels between tubes on guardrail systems. This clip has an 18mm slot in the main body that enables dimensions A & B to be increased by up to 10mm.



Code	A	B	Weight
KC171B	57 - 67mm	30 - 40mm	0.11kg
KC171C	61 - 71mm	34 - 44mm	0.12kg
KC171D	64 - 74mm	37 - 47mm	0.12kg
KC171E	70 - 80mm	43 - 53mm	0.13kg