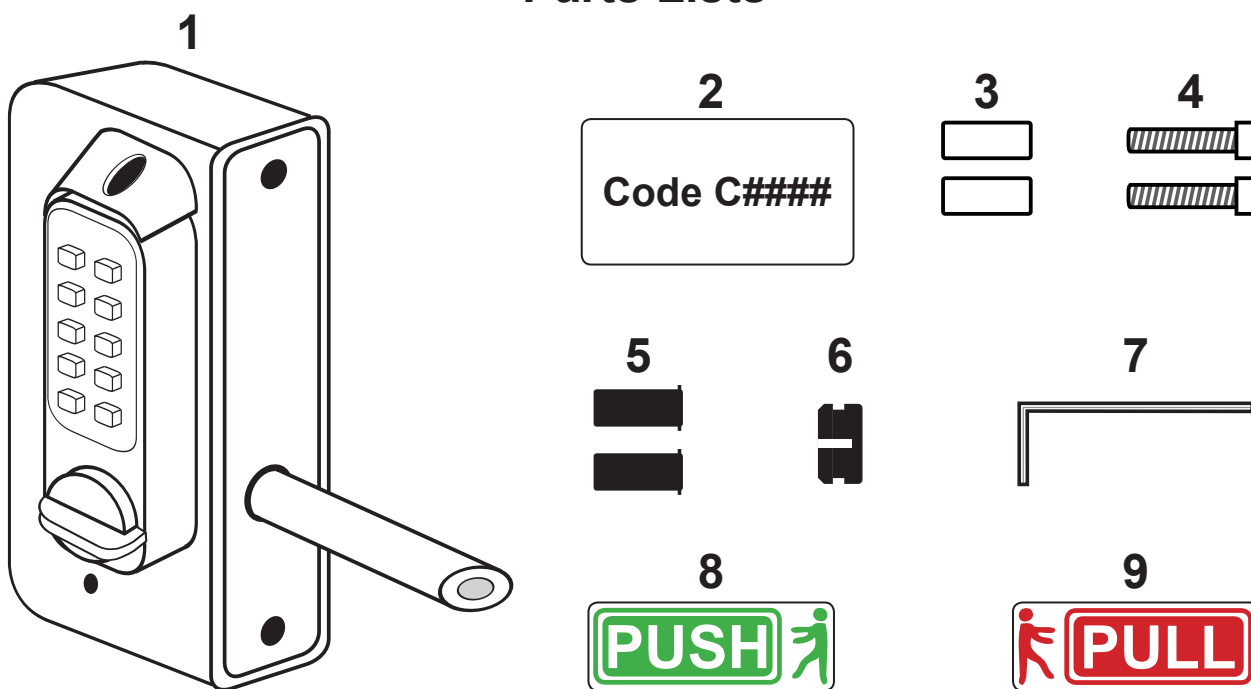


Parts Lists



Part No.	Description	Model	
		BL3030 ECP	BL3080 ECP
1	Lock Assembly	•	•
2	Code Card	•	•
3	Fixing Bolts Washers	•	•
4	Fixing Bolts	•	•
5	Fixing Bolt Sleeves	•	•
6	Latch Bolt Sleeve	•	•
7	Hex Wrench	•	•
8	Push Label		•
9	Pull Label		•

Retrofit 140mm Centre Adaptor Plate (S331)



Part No.	Retrofit 140mm Centre Adaptor Plate	
10	Adaptor Plate	
11	Adaptor Plate Fixing Screws	

Preparation & Handing

Please check that all the parts are working correctly. Enter the factory preset code as on the code card (**Part No.2**), rotate the knob way from the edge of the locking mechanism, ensuring that the knob rotates freely and retracts the latchbolt each time.

For the BL3080 model, check the push/pull fully retracts the latchbolt when pushed/pulled.

The keypad knob and push/pull pad should return easily under its spring pressure.

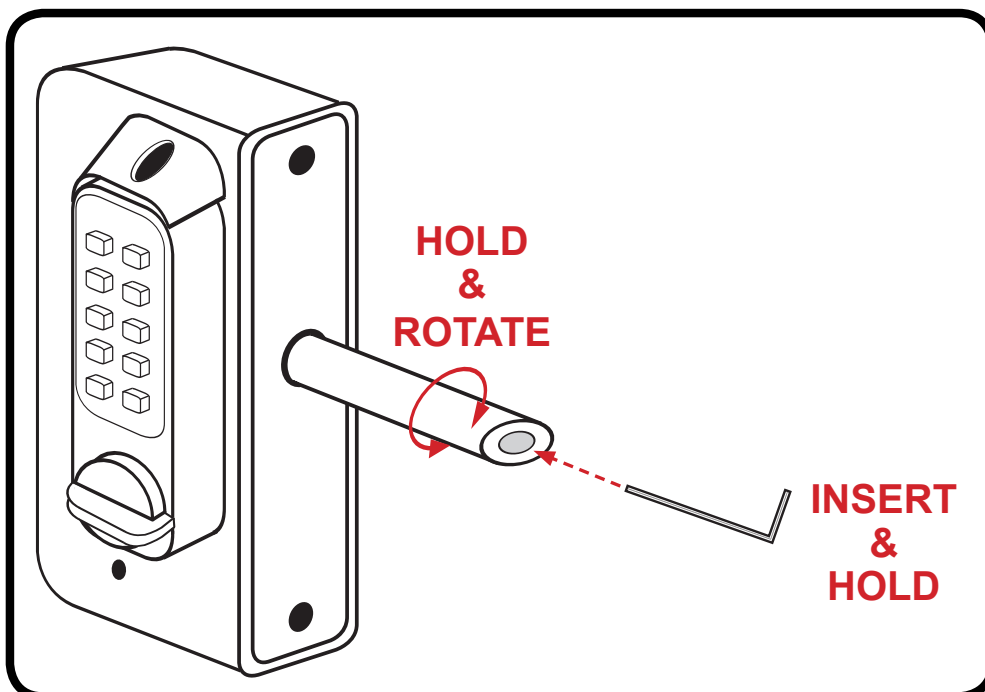
Latch Bolt Length Adjustment

Please note the minimum latch bolt length is 65mm and the maximum is 90mm. If the (S331) 140mm centre adaptor plate is fitted the minimum latch bolt length would be 60mm with a maximum adjustment of 85mm.

1. Hold the tip of the latch bolt ensuring that it does not move and insert the hex key (**Part No.7**) into the hole in the end of the latch bolt.
2. In the centre of the latch bolt hole is a sprung loaded plunger, press the plunger with the hex key and hold. The latch bolt can then be rotated anti-clockwise to lengthen and clockwise to reduce.
3. When the latch bolt is at the required length the pressure can be released on the plunger. Ensure the bevelled part of the latch is facing to the left of right and the latch bolt will lock into position and no longer rotate.

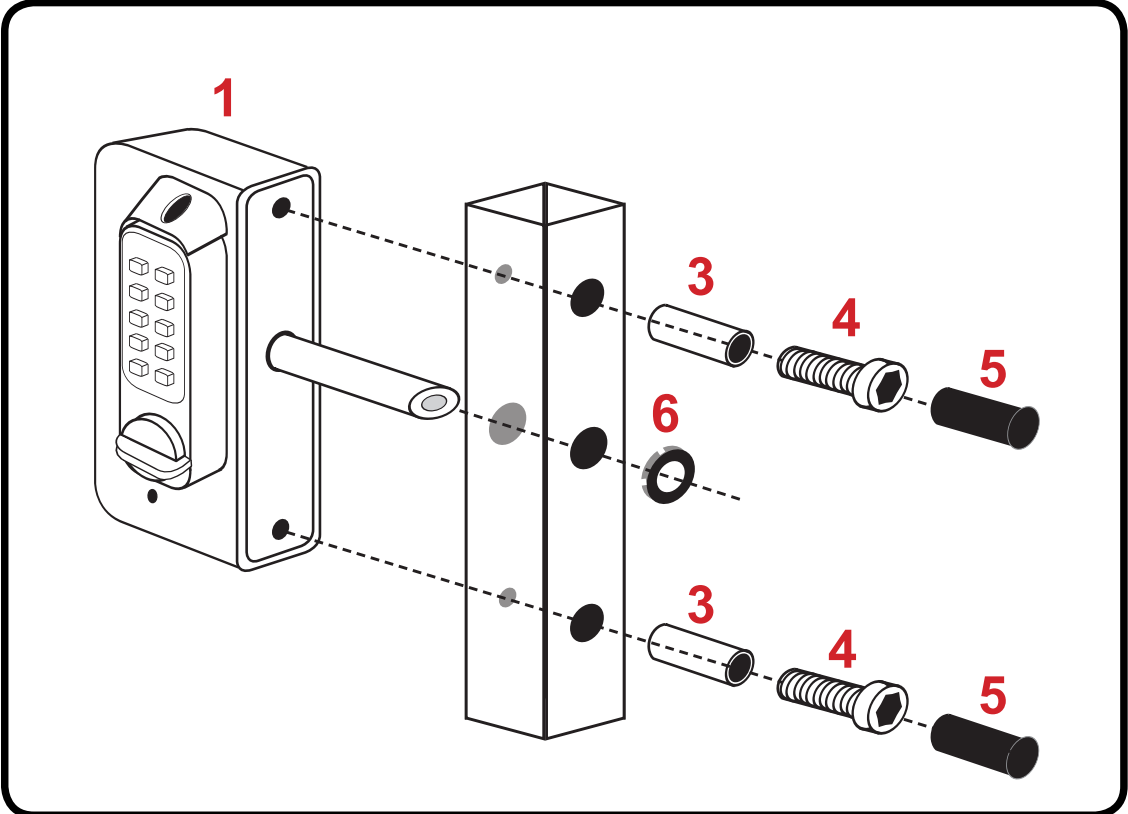
Latch Bolt Direction

1. Hold the tip of the latch bolt ensuring that it does not move and insert the hex key (**Part No.7**) into the hole in the end of the latch bolt.
2. In the centre of the latch bolt hole is a sprung loaded plunger, press the plunger with the hex key and rotate the latch bolt to the required direction for the handing of gate. Ensure the bevelled part of the latch is facing to the left of right and the latch bolt will lock into position and no longer rotate.

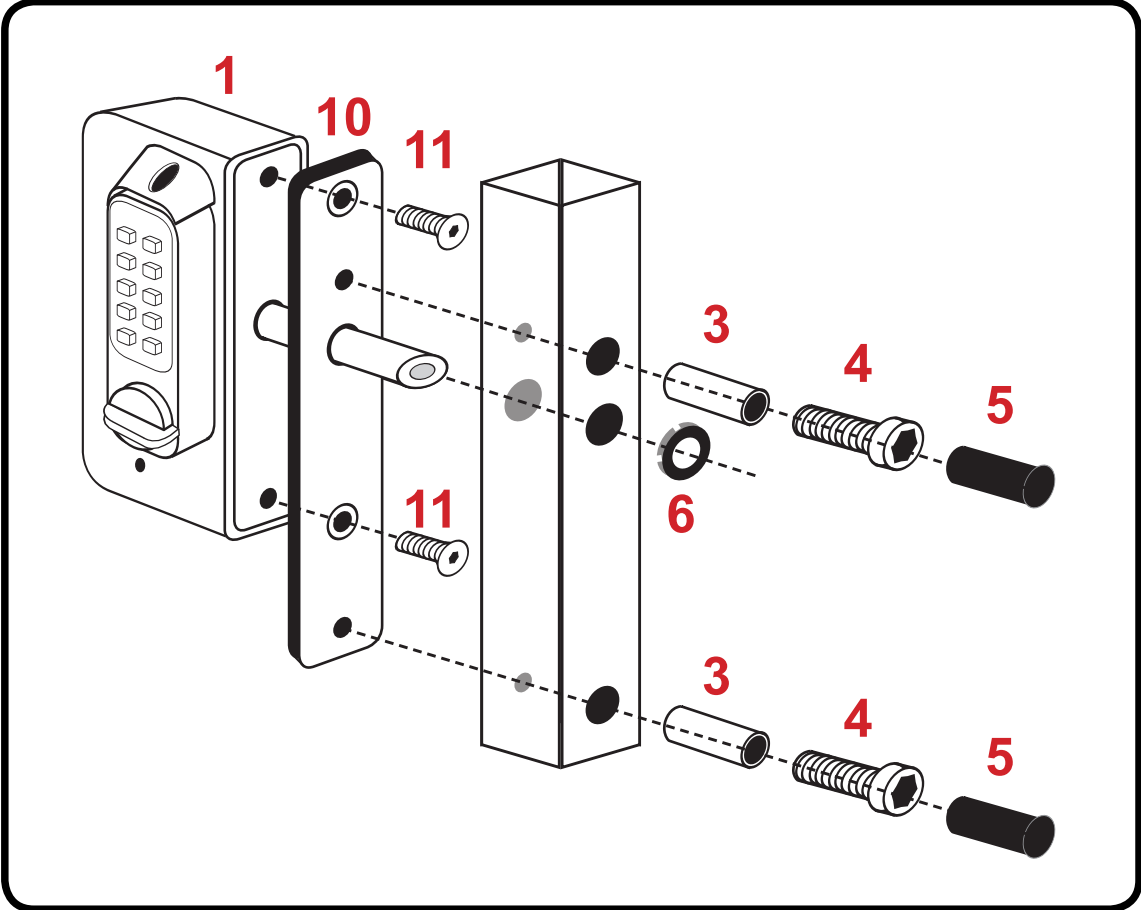


Installation

New Fit Installation Diagram



Retro-fit Installation Diagram - W/ S331 Adaptor Plate



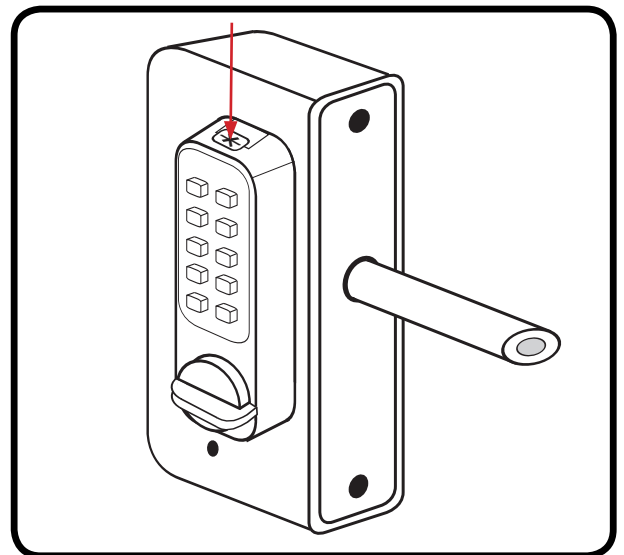
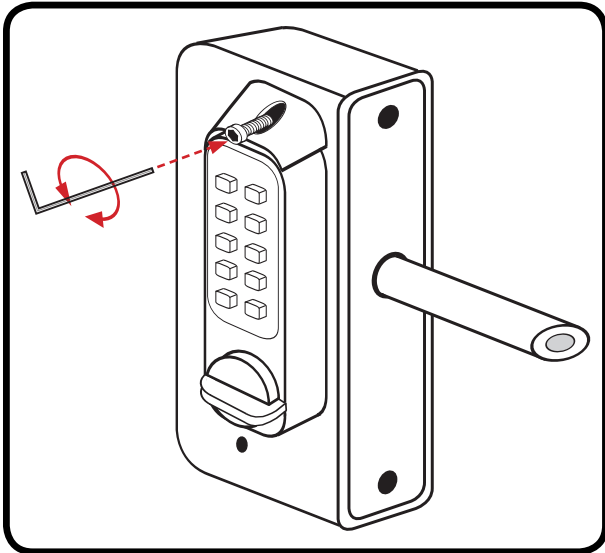
Code Change Instructions

The code can be changed with the unit fitted on/off the gate. The unit is non sequential, therefore if the code is set to 1234, the keypad will open if entered 4321, 3214 etc..There are over 500 different code combinations available.

The code should be changed with the door in the open position.

To change the code you will need to know what the keypad code is currently set to.

1. Using the hex key (**Part No.7**) remove the shroud around the top of the keypad to reveal the * button underneath.



2. Enter existing code
3. Press and hold the * button and press the 'C' button - this will clear the old code.
4. Still holding down the * button, press the digits that are to be in the new code. Once the new code has been entered, press all the digits in the code once again to ensure that all the digits in the code are set.
5. Release the * button.
6. Press 'C' button or rotate the knob to set the new code.
7. The new code is now set and ready for use. Check that the code is working 5 times and that it is withdrawing the latchbolt before closing the gate and refitting the shroud around the top of the keypad.

Please note: If a new code has been set and it does not work, the 'C' button has not been pressed when clearing the old code and before inputting the new code; therefore the code will be a combination of the new and old code i.e. if the old code was 1234 and the new code is 6789 the code actually set if 1234-6789. Input both the old and new code and follow the code change from step 3. If the code has been changed and the keypad knob is free turning, the new code has not been set. Follow the code change from step 3.