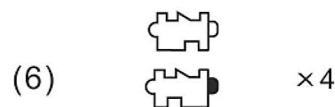
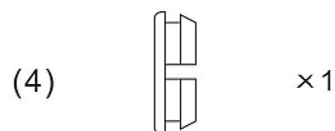
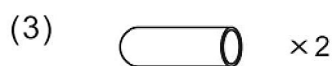
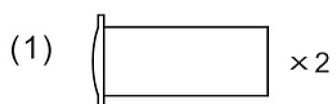
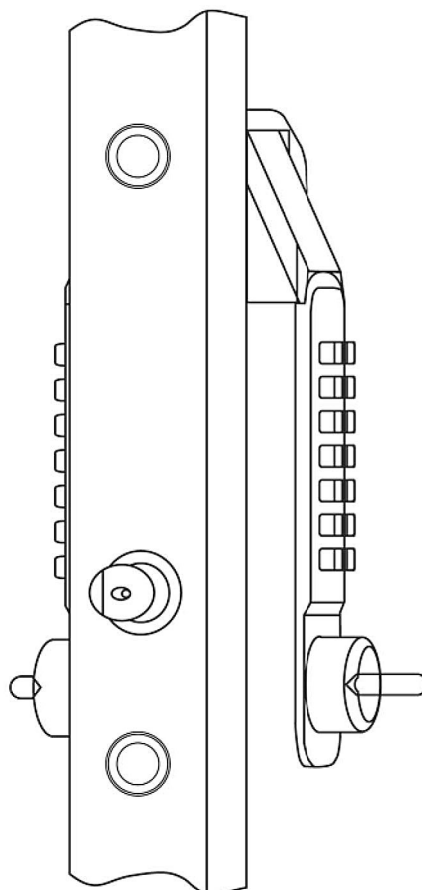


Parts list, Installation & General Information

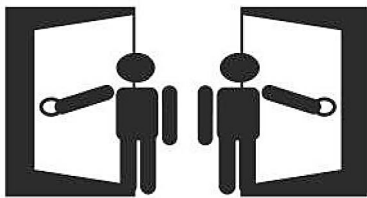


ESTABLISH THE HAND OF THE GATE

Viewing from the OUTSIDE it is right hand if the hinges are fitted on the right and it is left hand if the hinges are fitted on the left-hand side of the door. This is regardless of whether the door swings inward or outward.

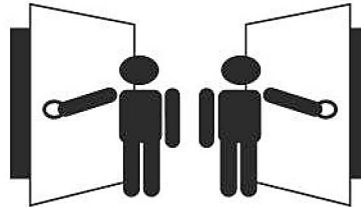
HANDING CHART

(Always take hand from outside)



Hand of gate
right hand(RH)

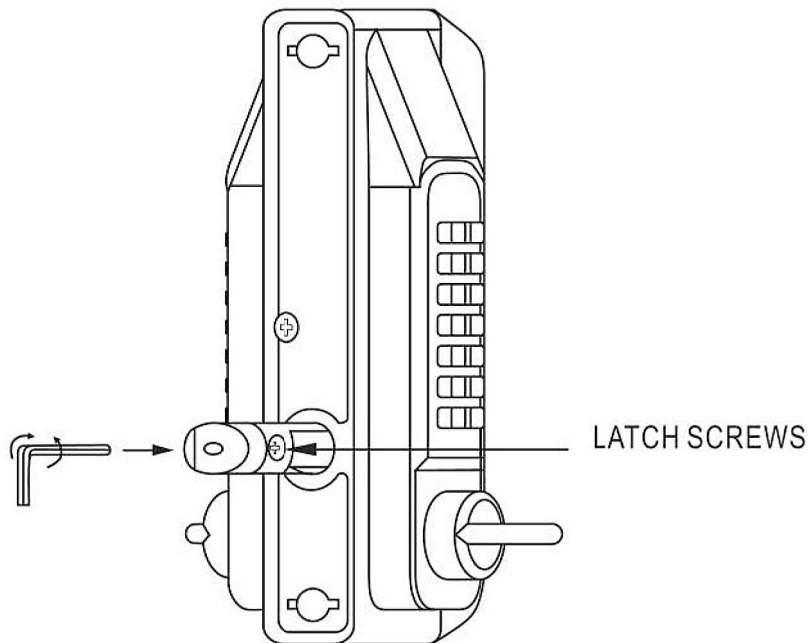
Hand of gate
left hand(LH)



Hand of gate
right hand reverse
(RHR)

Hand of gate
left hand reverse
(LHR)

N. B. All units are set at the factory to suit right hand hung doors



(diagram 1)

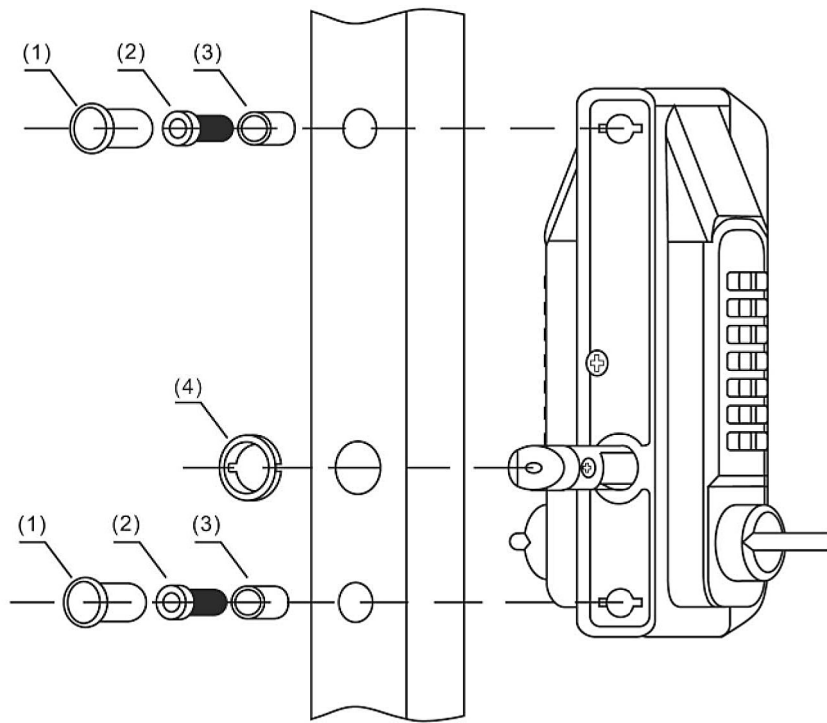
ADJUSTMENT OF LATCH PROJECTION LENGTH

The length of the latch projection can be adjusted from 65 mm - 80 mm. The projection length can be adjusted by

1. Inserting the hexagonal key provided into the front of the latch.(diagram 1).
2. Rotate the hexagonal key anti-clockwise to increase the latch projection length and clockwise to reduce the length.

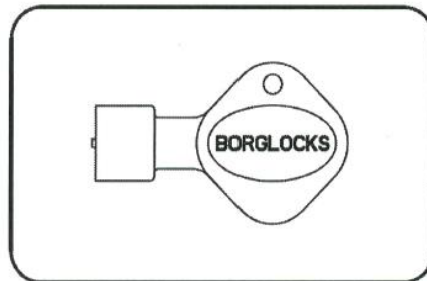
ADJUSTMENT OF LATCH POSITION

The position of the latch can be adjusted by removing the 2 screws at the side of the latch.



CODE CHANGING PROCEDURE

The code should be changed with the gate in the open position. To change the code you will need to know what the keypad is currently set to. The code can be changed with the unit fitted on/off the gate.



Code Change Key

1. Enter existing code
2. Using code change key - insert into the hole in the * button - fully press and hold until step 5
3. Press `C` button to clear the existing code
4. Enter the new code
5. Release the code change key from the hole in the * button
6. Press `C` to set the new code
7. The new code is now set and ready for use
8. Check that the code is working 5 times and that it is withdrawing the latchbolt in the gate before closing the gate.

Please note: If a mistake is made whilst entering a new code (with the * button pressed) the `C` button can be pressed which will cancel any buttons that have been pressed and you can start again.