



# Composite Fence System

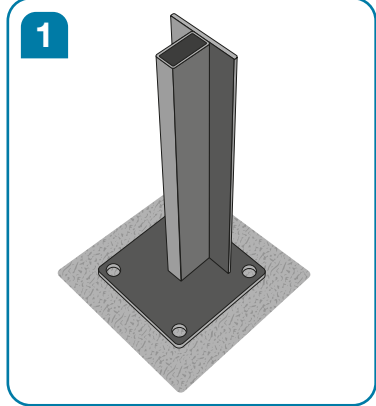
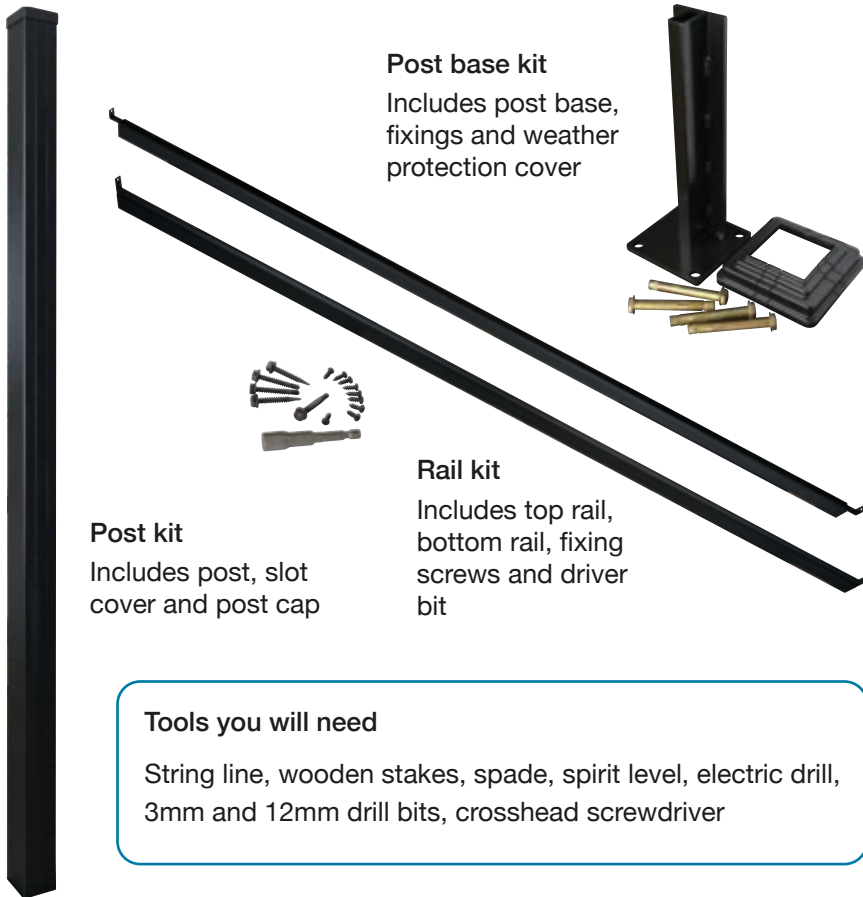
---

## Installation Guide

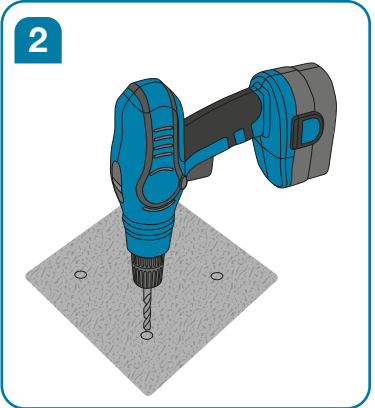
Our composite board fence system gives a post to post centre finish of 1785mm without any cutting of the cross bars. Finish height if bolting to level ground is 1900mm and if concreting in you have 300mm depth on 2200mm posts. Posts are easily cut to give various heights and can also be wall fixed and used to make panels between pillars

Start by marking out the position of your fence with a string line and position stakes or other markers at 1785mm centres to show the intended post locations. Dig holes in the post locations and fill with concrete foundation material for your post bases, ensuring that your finished concrete pads are true and level with each other. Once your post bases are dry follow this guide to fit your fence posts and panels.

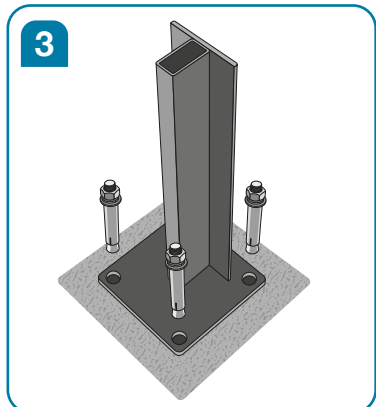
### What's in the kits



Once your foundation pads are dry, position your post base in the centre of the pad and mark out the fixing hole positions. If you are concreting in your posts skip to stage 6.

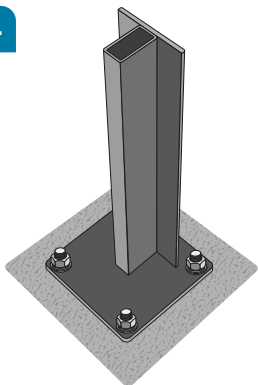


Using a 12mm drill bit and an electric drill. Prepare holes for the four post fixing anchor bolts, to a depth of 100mm. If using your own fixing then adapt to suit.



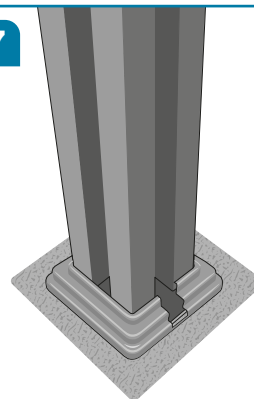
Set the post base over the holes and insert the fixing anchor bolts. The post base is a T section, make sure the top bar of the T is running in the same direction as your fence line.

4



Tighten the fixing bolts down with a hex spanner, making sure that the post base is level as you do this.

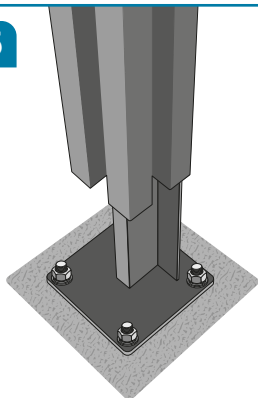
7



Your posts are now ready to have the base rail installed.

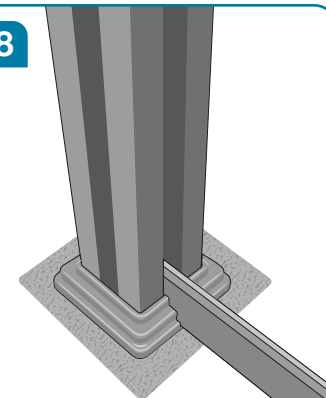
Fit the post onto the post base. You can fit the cover strips into the slots in the post that you won't be using at this point.

5

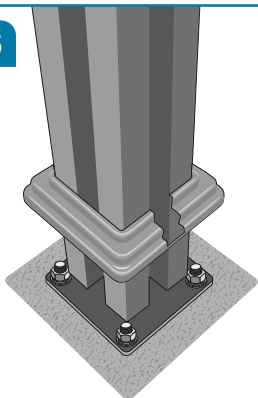


Fit the base rail into position between two posts, ensure that it is true and level

8

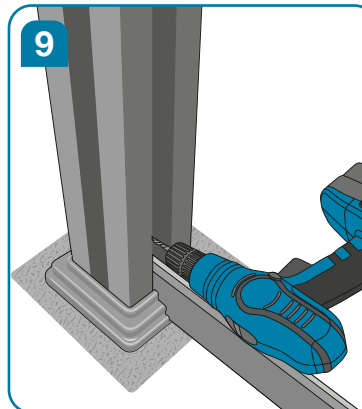


6



Fit the protective weather shield over the post base to keep the elements at bay and protect the fixing bolts, making sure to remove the push out section that accommodates the bottom rail.

9



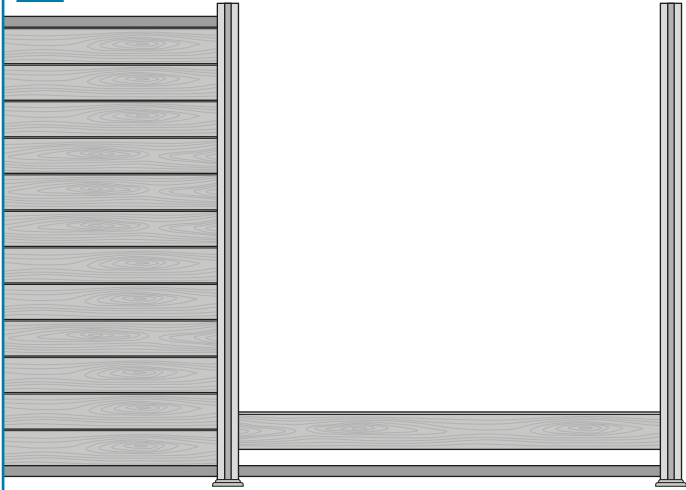
Drill 6mm pilot holes through the holes in the L bracket into the post. Secure it to the post with the screws provided.

10



Once the base rail is fitted securely between two posts you are ready to start fitting the fence boards which should be cut to 1750mm wide.

11



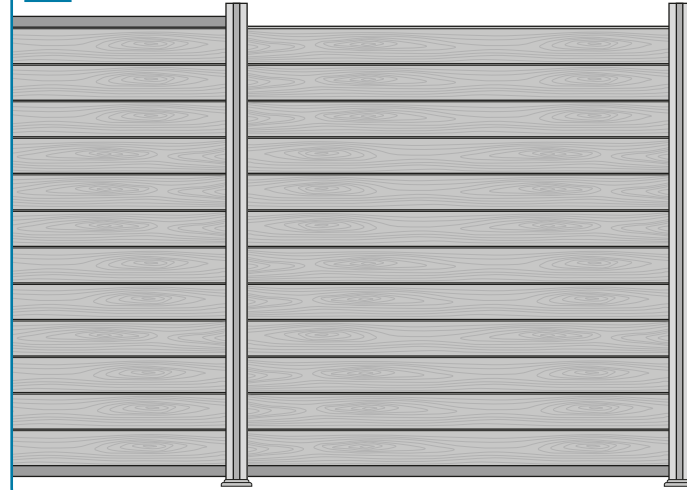
Slide the first fence board into the top of both posts and lower down onto the tongue of the lower rail, check this is still level.

12

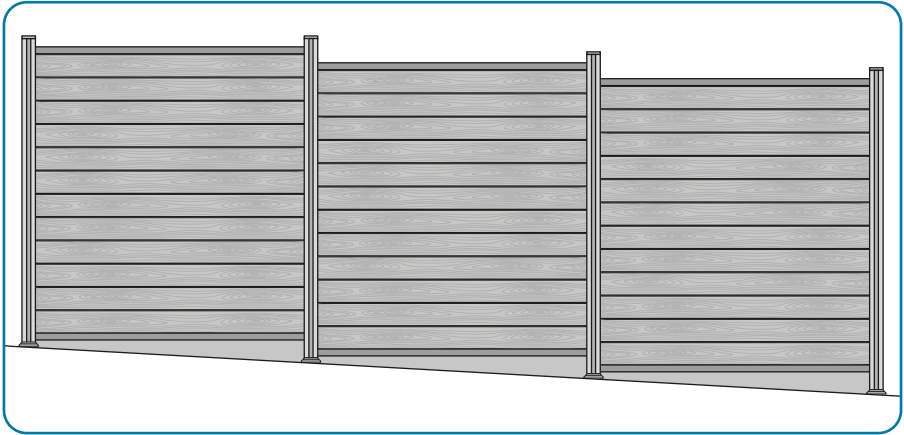


You can now fit the rest of the fence boards into place using the tongues and grooves on each board.

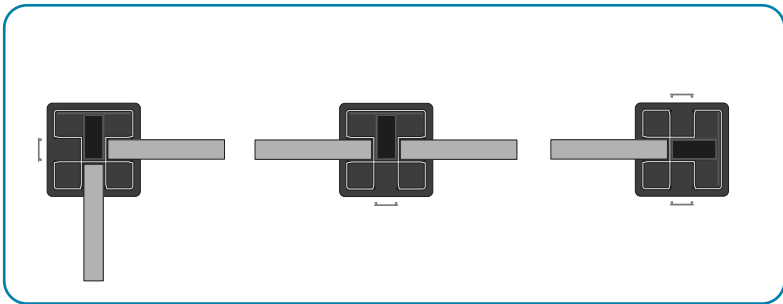
13



Now fit the top rail into place and secure with the L brackets and screws provided, the post caps can now be fitted.



On sloping sites we recommend the use of a gravel board under the base rail.



Our posts can be used as corner, mid or end posts