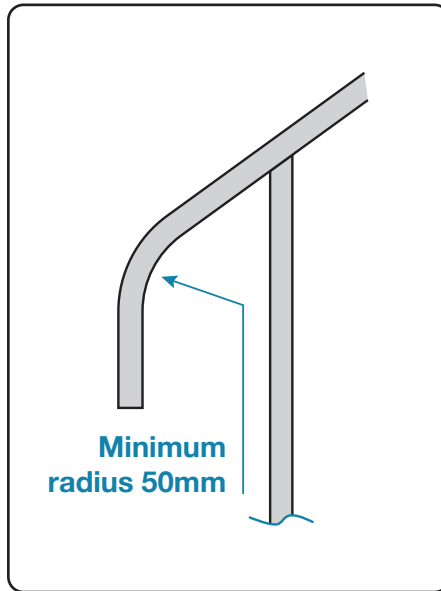
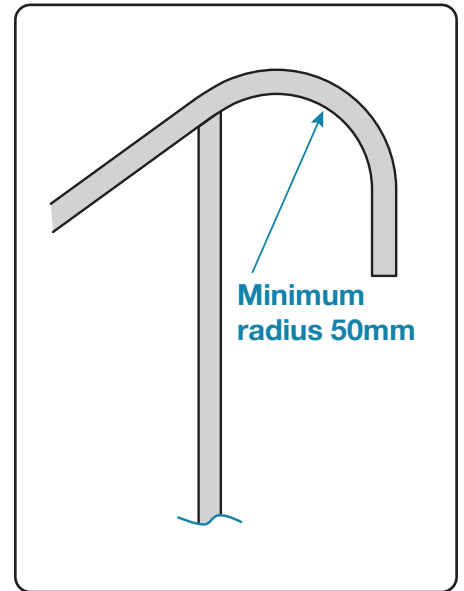




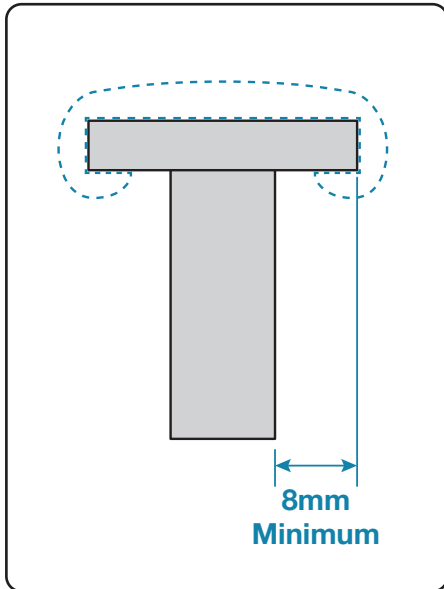
Handrail fabrication guide for plastic handrail capping installation



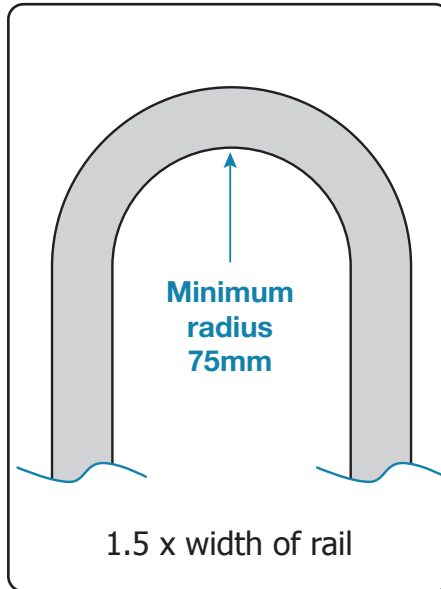
Side elevation



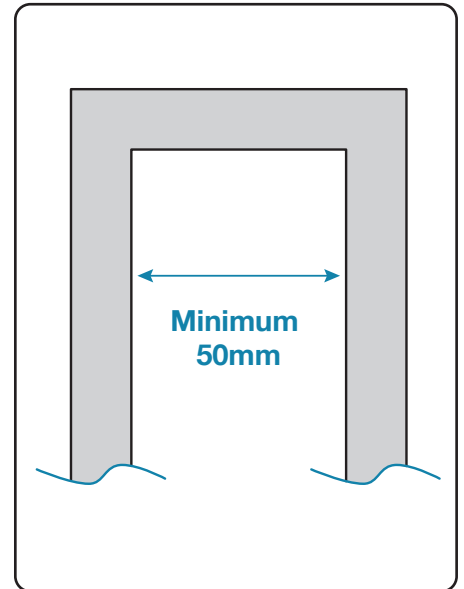
Side elevation



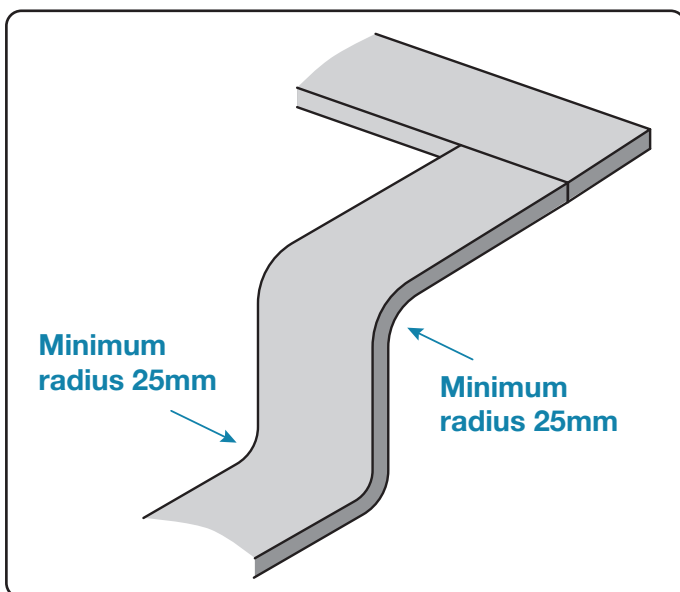
Cross section



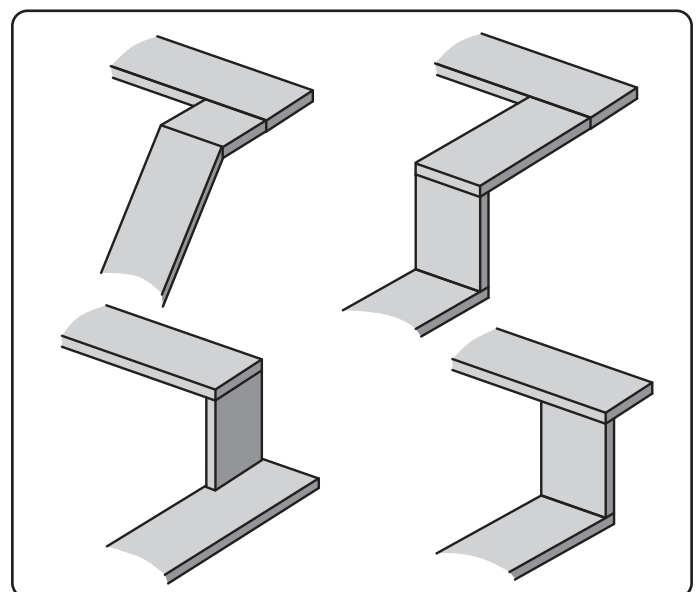
Top view of radius bend



Top view of right angle corner



Swan-neck correct fabrication



Examples of incorrect swan-neck fabrication. Handrail capping can not be fitted