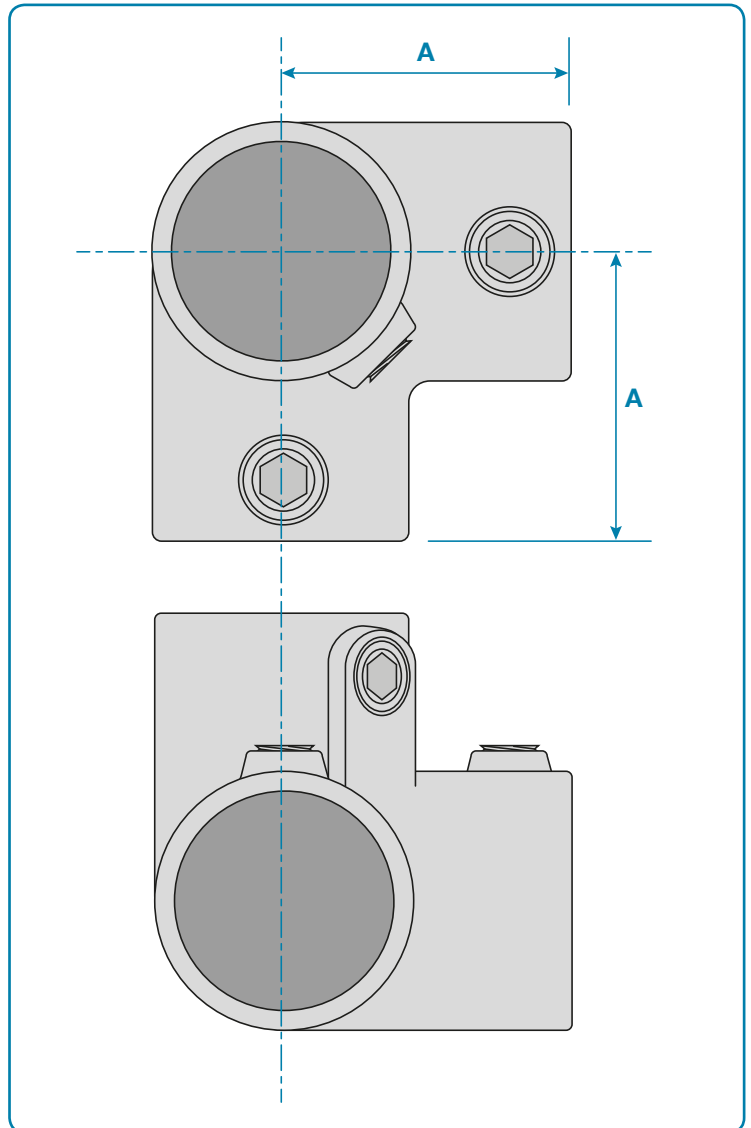


A three way enclosed 90° corner joint, typical use is on straight and level guardrail for connecting the top rails to the vertical at a 90° corner. It can also be used to create enclosed corner joints on other rectangular structures.



Code	A	Weight
KC128A	42mm	0.36kg
KC128B	48mm	0.51kg
KC128C	60mm	0.84kg
KC128D	68mm	1.11kg
KC128E	84mm	1.78kg