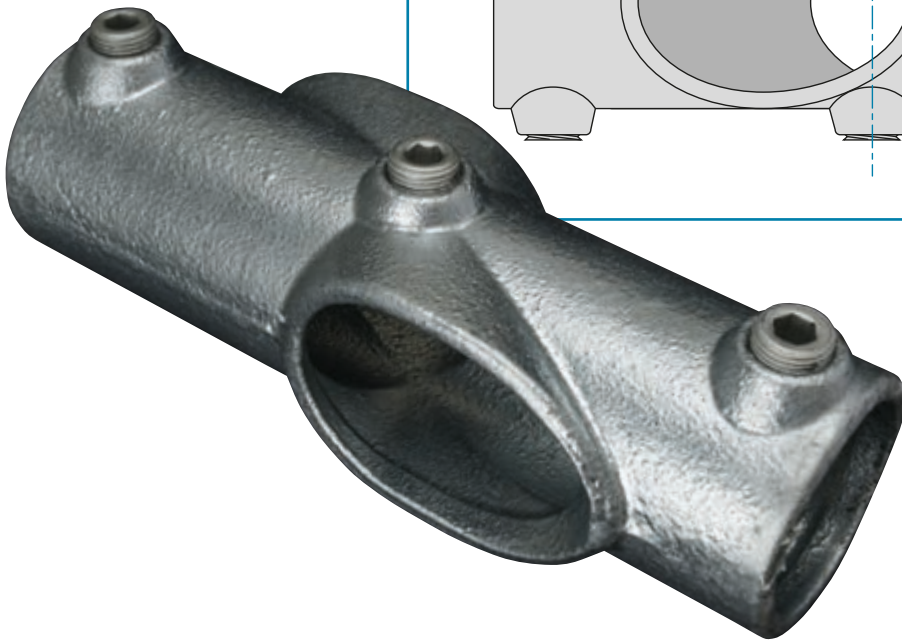
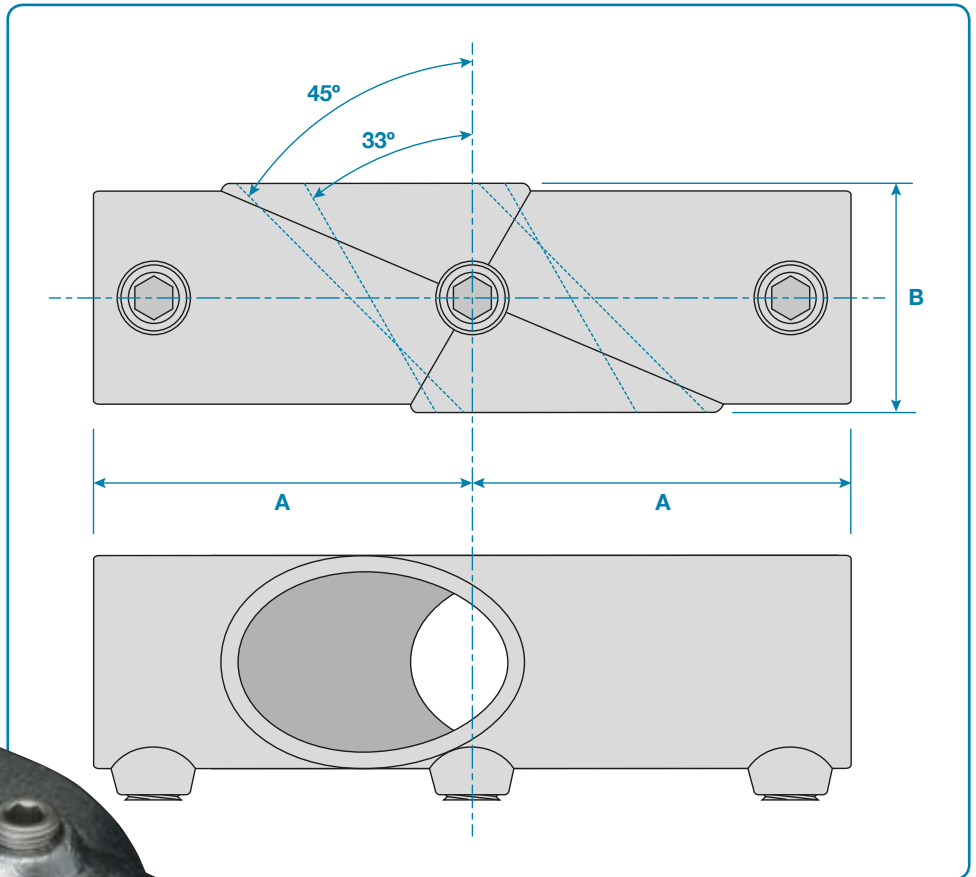


An adjustable cross between 30° and 45°, used as a cross connection to connect the vertical to the mid/lower rails on a sloping or staircase guardrail systems with the upright remaining vertical.



Code	A	B	Weight
KC130B	76mm	49mm	0.62kg
KC130C	85mm	59mm	0.98kg
KC130D	109mm	66mm	1.31kg