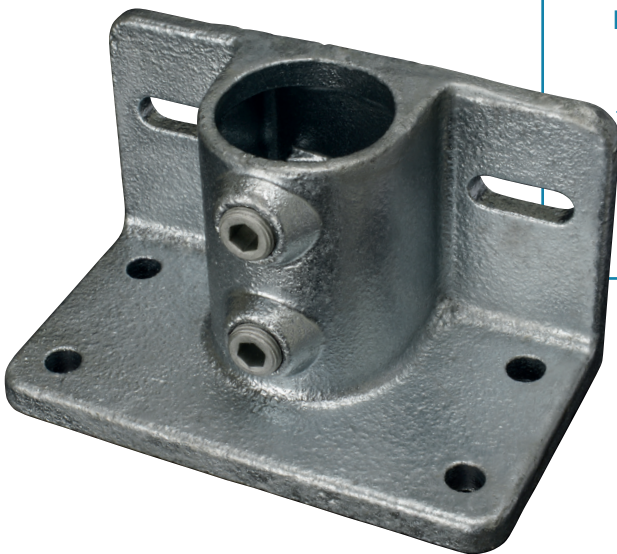
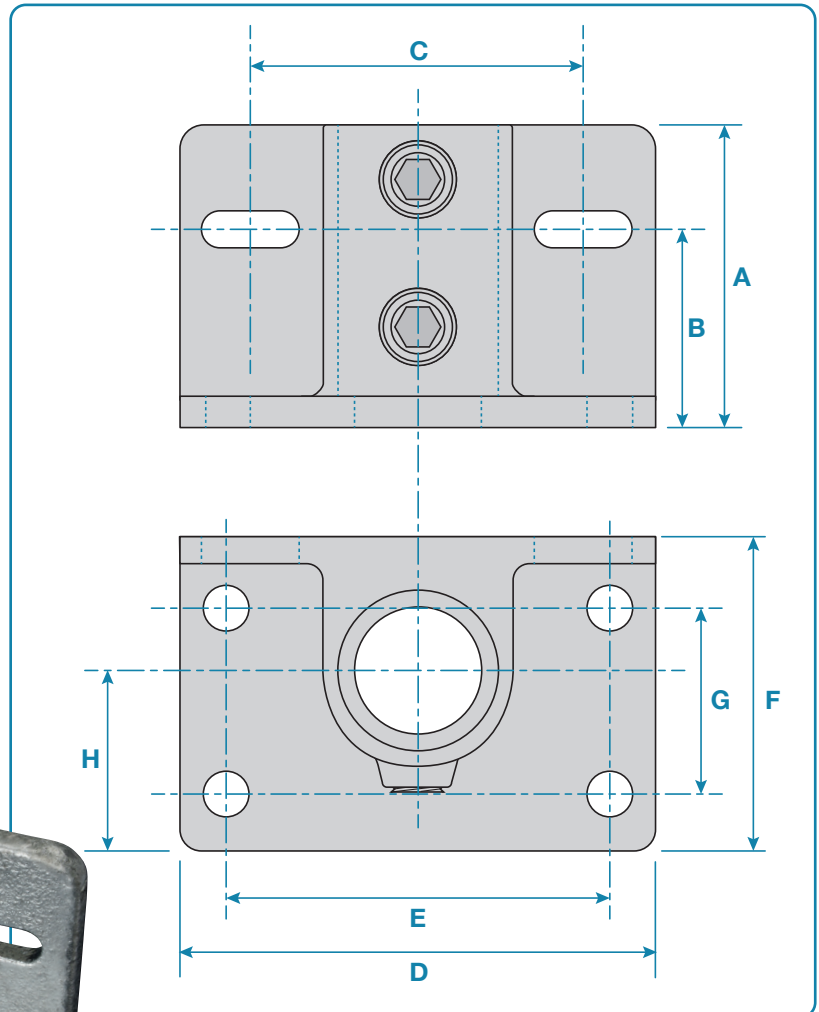


A base flange fitting with toe board attachment facility. It is ideal as a base for the vertical on guardrails where the addition of a toe board or kicking flat is required.



Code	A	B	C	D	E	F	G	H	Weight
KC142B	80mm	58mm	90mm	130mm	100mm	75mm	30mm	47mm	1.51kg
KC142C	95mm	58mm	100mm	145mm	115mm	85mm	45mm	55mm	1.97kg
KC142D	90mm	58mm	110mm	160mm	130mm	90mm	48mm	55mm	2.28kg