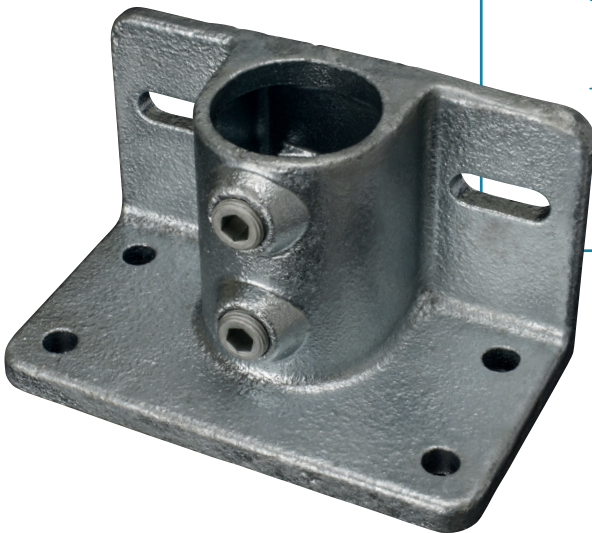
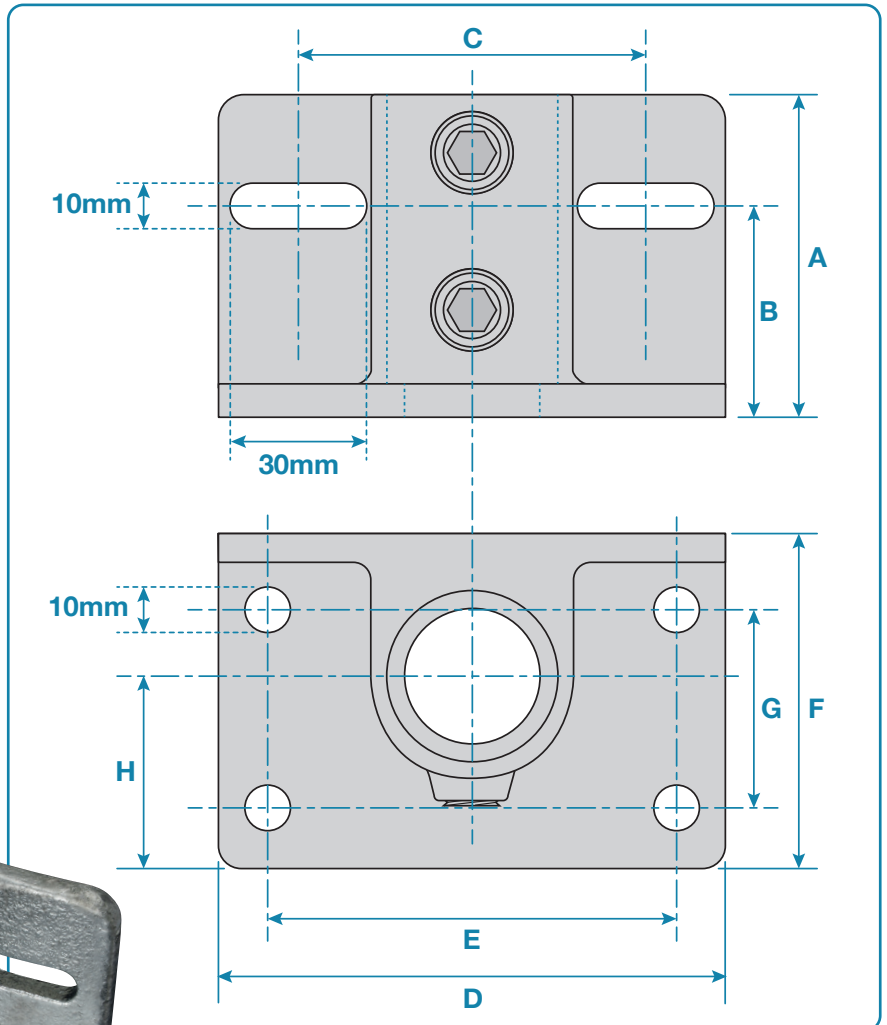


A base flange fitting with toe board attachment facility. It is ideal as a base for the vertical on guardrails where the addition of a toe board or kicking flat is required.



Please Note: Dimensions for guide only. Components may vary slightly from the sizes shown.

Updated: 10-07-2024

Code	A	B	C	D	E	F	G	Weight
KC142B	80mm	58mm	90mm	130mm	100mm	75mm	30mm	1.51kg
KC142C	95mm	58mm	100mm	145mm	115mm	85mm	45mm	1.97kg
KC142D	90mm	58mm	110mm	160mm	130mm	90mm	48mm	2.28kg