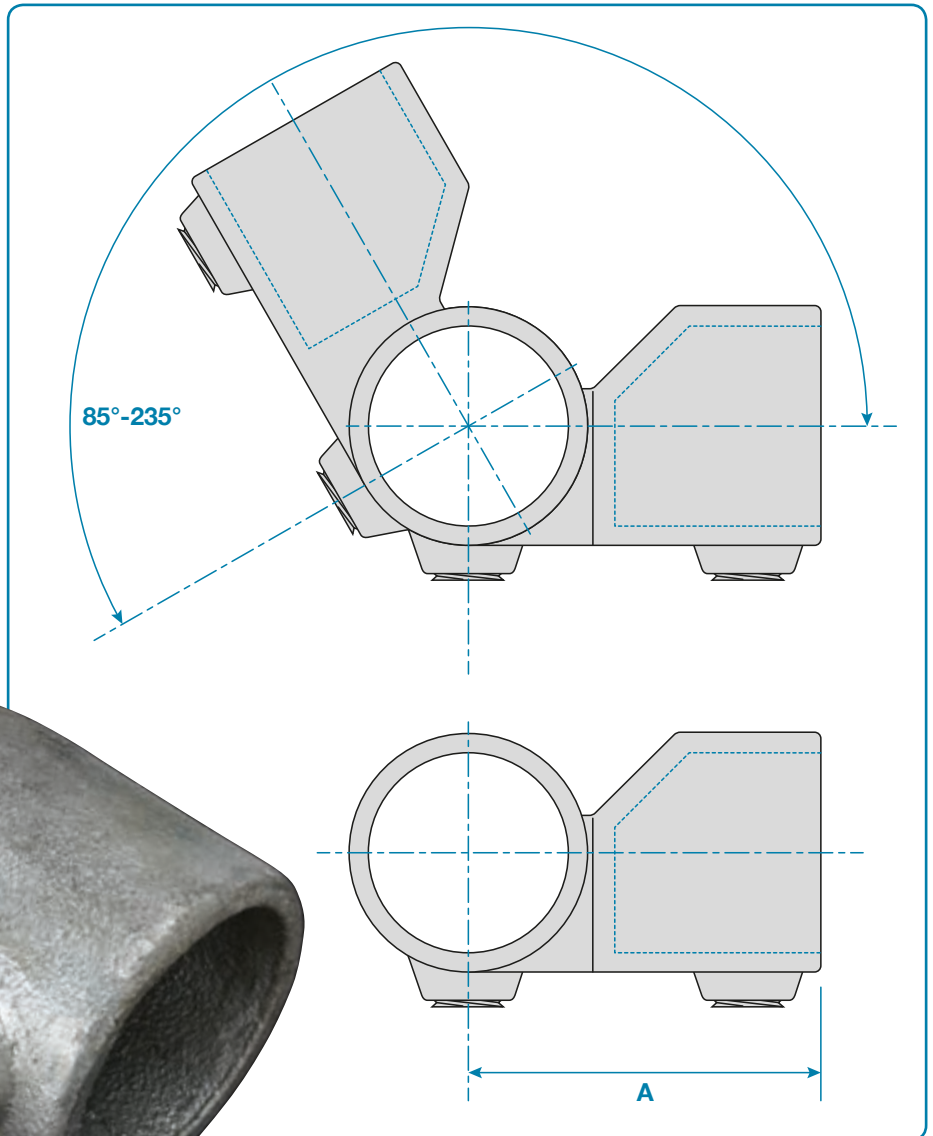


A short swivel tee fitting, normally used in pairs to create angles between 85° and 235°. A centre upright tube is required to join the fittings together to create the angle.



Code	A	Weight
KC148A	57mm	0.21kg
KC148B	65mm	0.31kg
KC148C	78mm	0.46kg
KC148D	85mm	0.60kg
KC148E	109mm	0.97kg