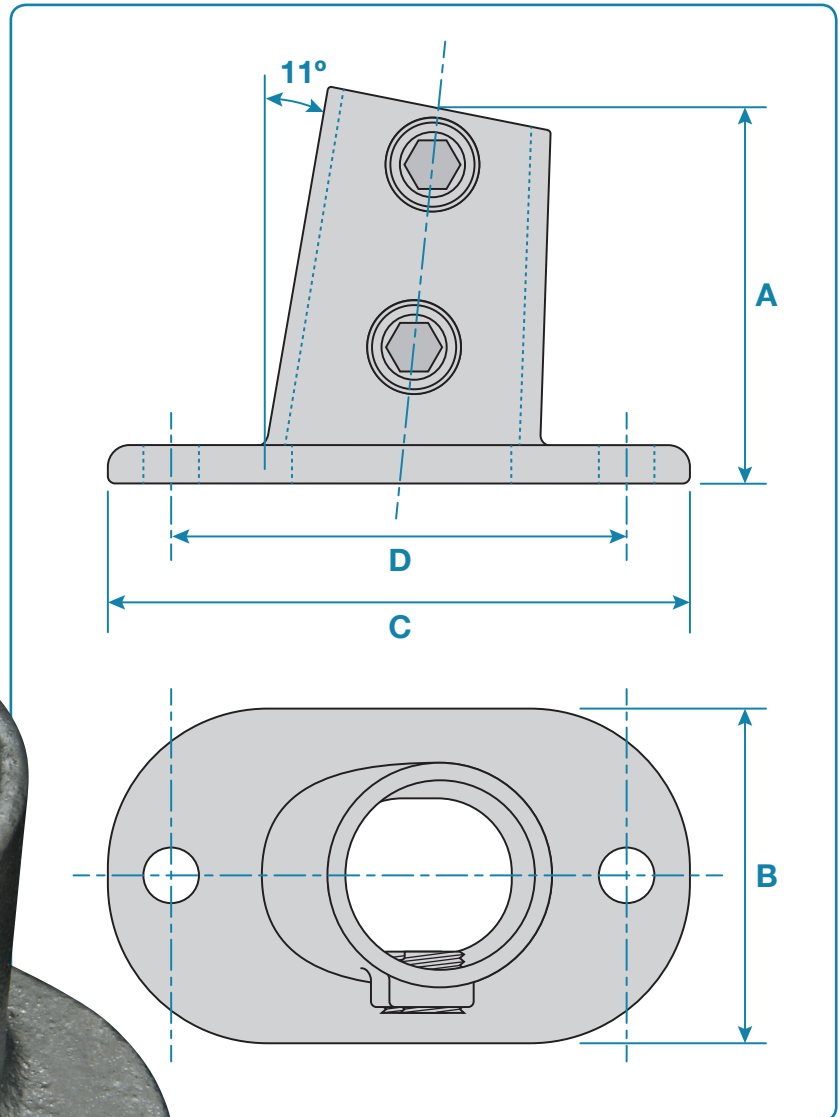
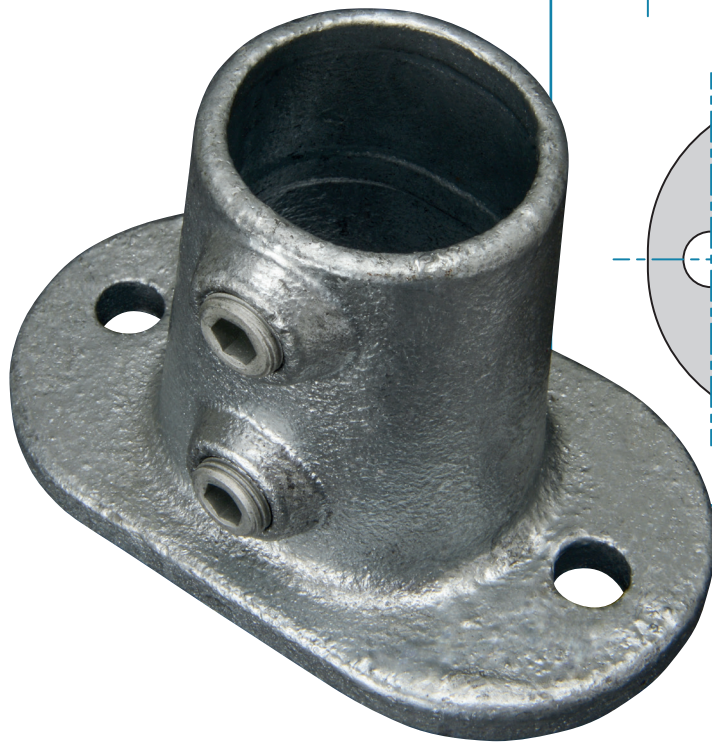


An oval base flange adjustable from 0° and 11°. Typically used on slopes or ramps for uprights.



Code	A	B	C	D	Hole dia.	Weight
KC152NC	85mm	75mm	150mm	110mm	14mm	1.03kg
KC152ND	95mm	84mm	160mm	120mm	14mm	1.34kg