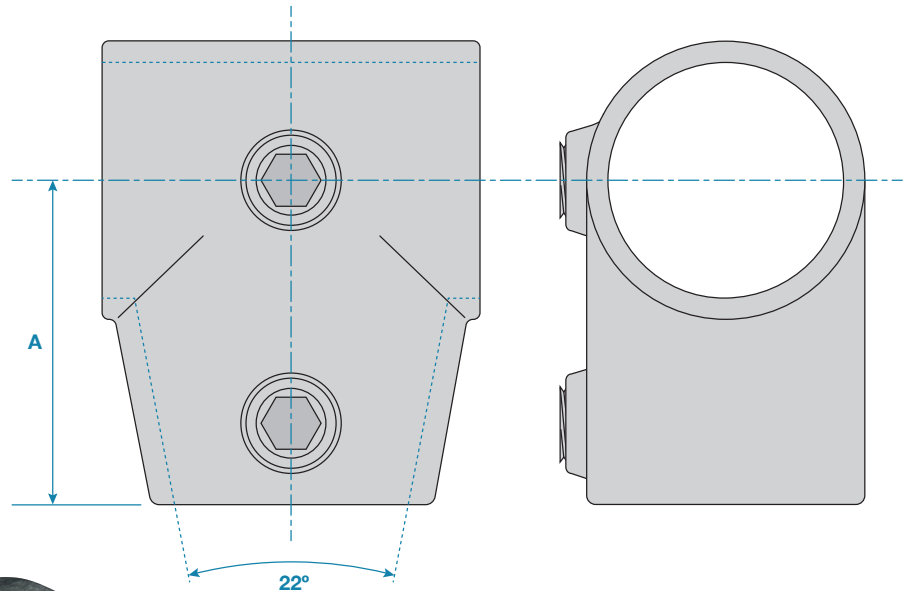


A short tee used on sloping guardrail between 0° and 11°. Typical used to connect the vertical post to the top rail or mid rail to end uprights. This fitting cannot be used to join tubes in the top of the tee, to join tubes in this way use the KC155.



Code	A	Weight
KC153A	60mm	0.54kg
KC153B	68mm	0.72kg