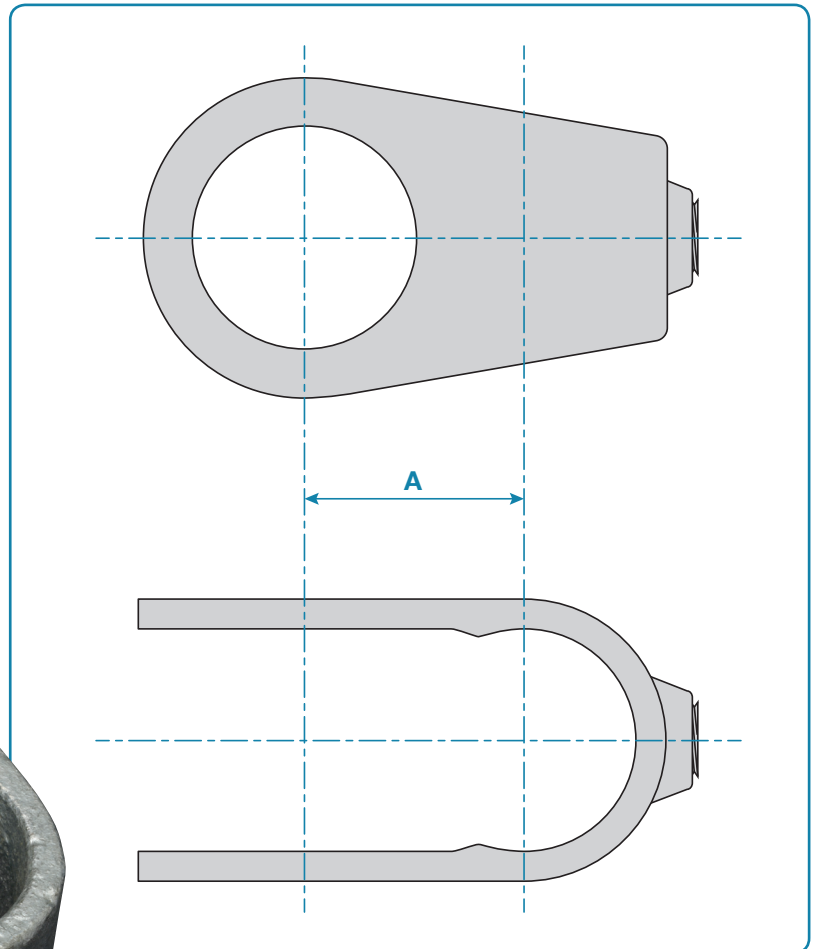


A clamp on 90° crossover fitting, designed to give a 90° crossover joint, ideal for making additions to existing structures without the need to dismantle part or all of the structure.



Code	A	Weight
KC160A	27mm	0.20kg
KC160B	34mm	0.31kg
KC160C	43mm	0.49kg
KC160D	49mm	0.63kg
KC160E	61mm	0.95kg