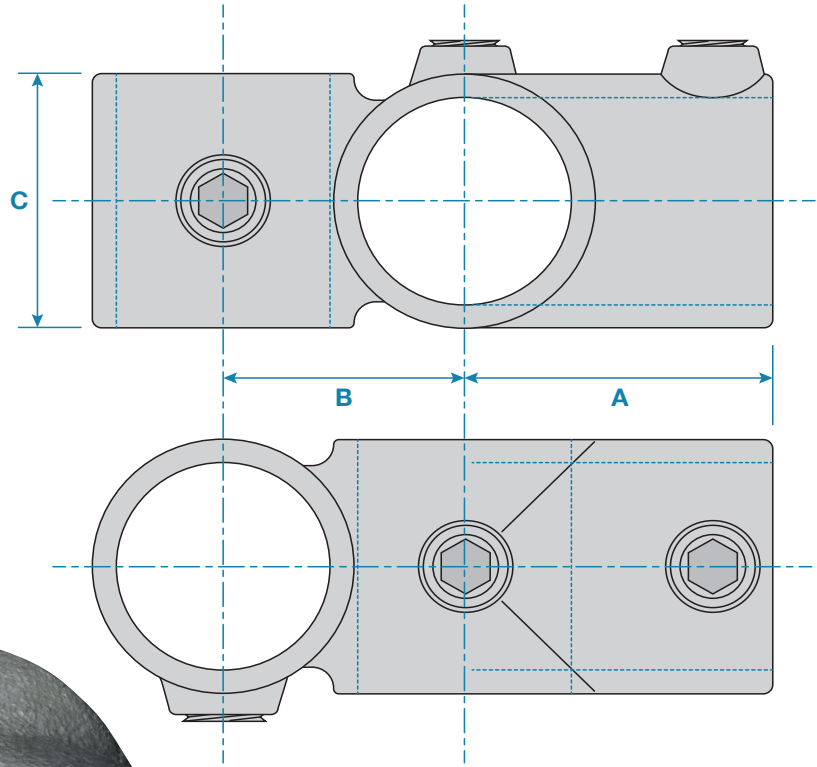


A combined tee and crossover fitting, designed for the construction of racking systems, it enables both the upright and front and rear horizontal rails to be continuous. This clamp does not allow tubes to be joined within the fitting.



Code	A	B	C	Weight
KC165A	42mm	33mm	37mm	0.31kg
KC165B	48mm	41mm	45mm	0.47kg
KC165C	60mm	50mm	54mm	0.73kg
KC165D	68mm	56mm	61mm	0.95kg
KC165E	84mm	68mm	74mm	1.50kg