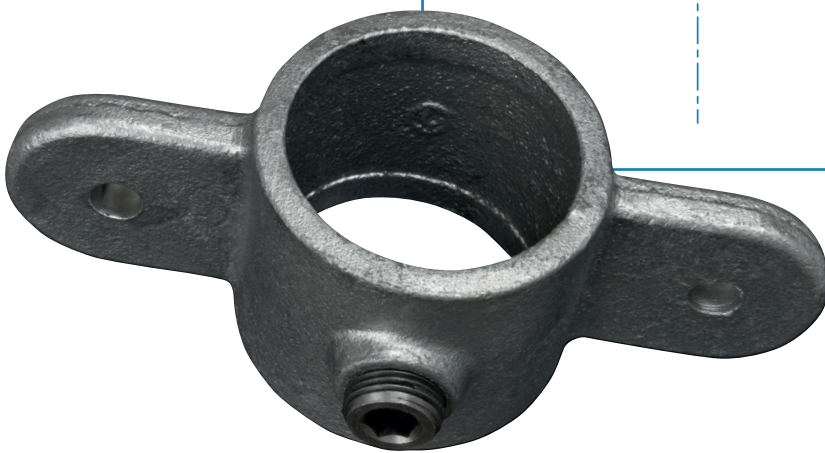
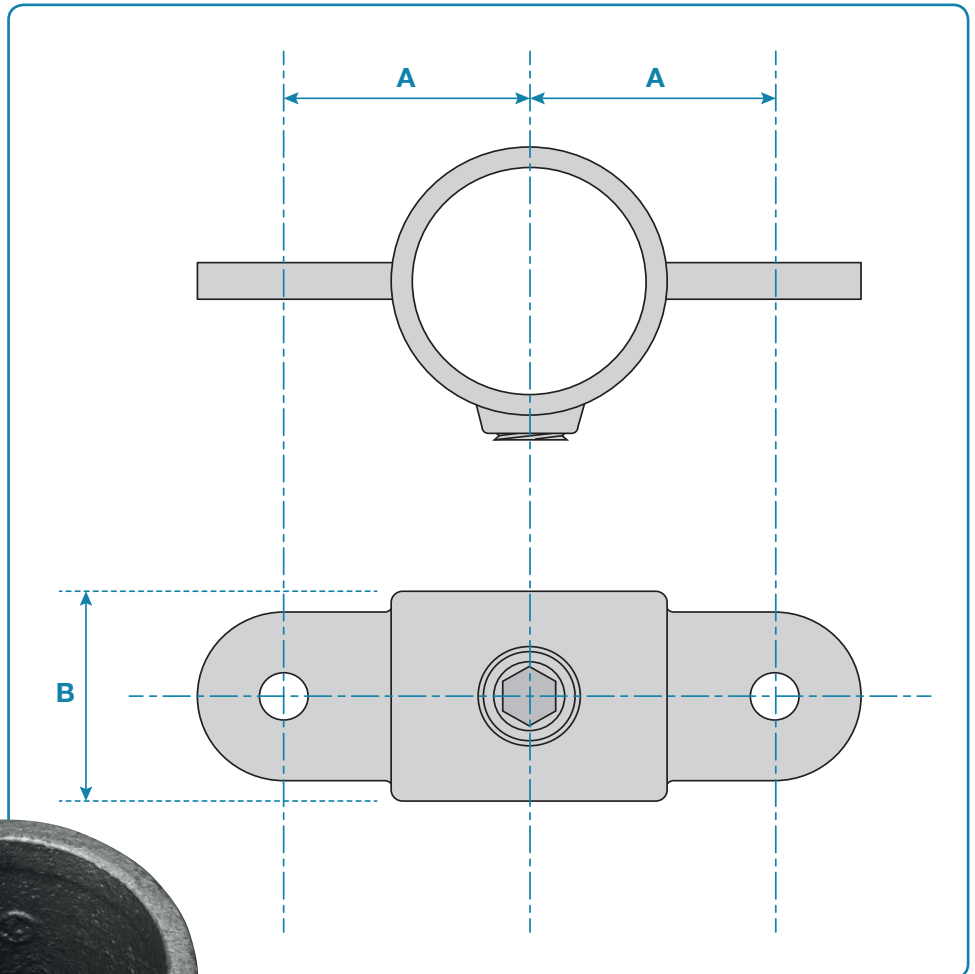


A double male in-line fitting with the lugs at 180° to each other, the male part of KC167 swivel combination fitting. This design can also be used to secure various types of infill panel. This clamp does not allow tubes to be joined within the fitting. NOT DESIGNED TO WITHSTAND LATERAL LOADS.



Code	A	B	Weight
KC167MA	40mm	39mm	0.28kg
KC167MB	44mm	39mm	0.32kg
KC167MC	49mm	45mm	0.41kg
KC167MD	52mm	45mm	0.45kg