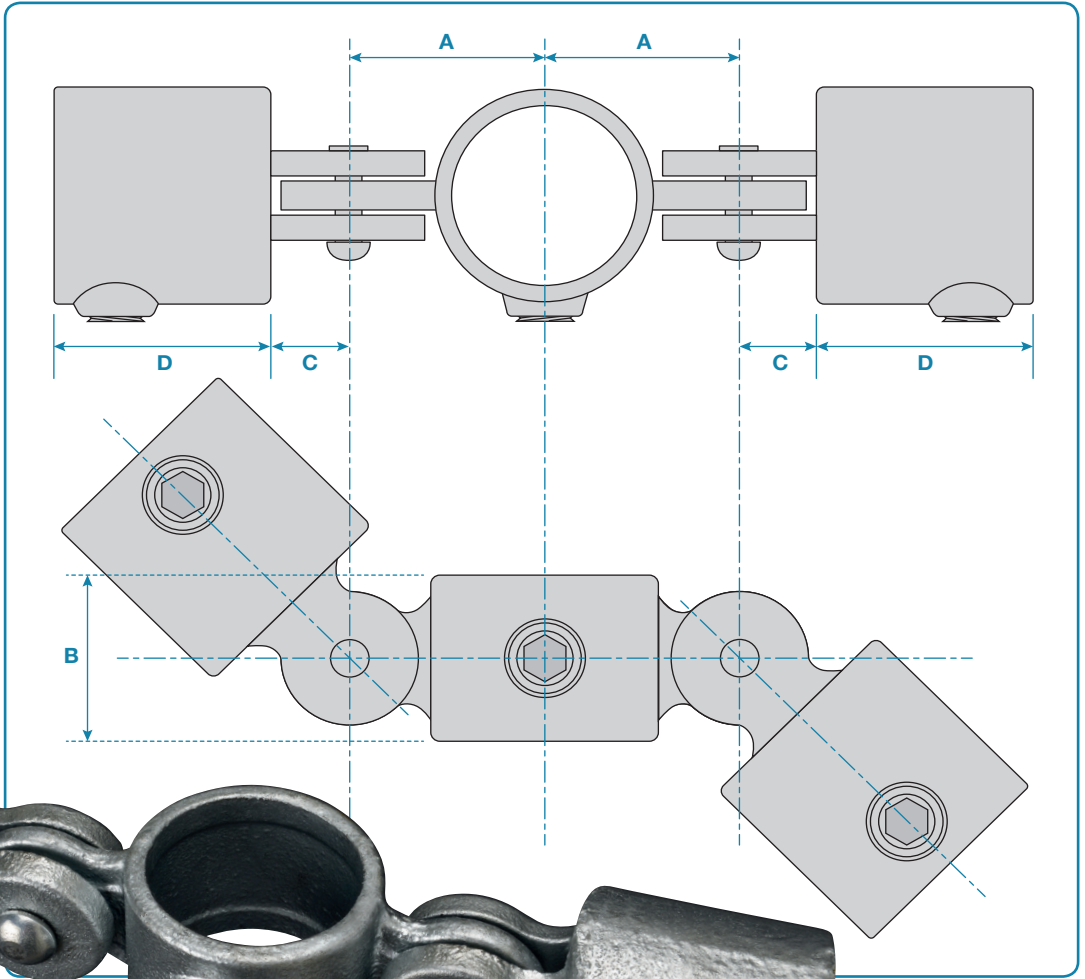


A versatile fitting with two swivel connectors at 180° to each other. Both swivels have a travel of approximately 85° from the horizontal in both vertical directions. Tube cannot be joined in this fitting. **NOT DESIGNED TO WITHSTAND LATERAL LOADS.**



Code	A	B	C	D	Weight
KC167A	40mm	39mm	22mm	60mm	0.83kg
KC167B	44mm	39mm	22mm	72mm	0.99kg
KC167C	49mm	45mm	22mm	73mm	1.38kg
KC167D	52mm	45mm	22mm	78mm	1.62kg
KC167E	60mm	50mm	23mm	92mm	2.31kg