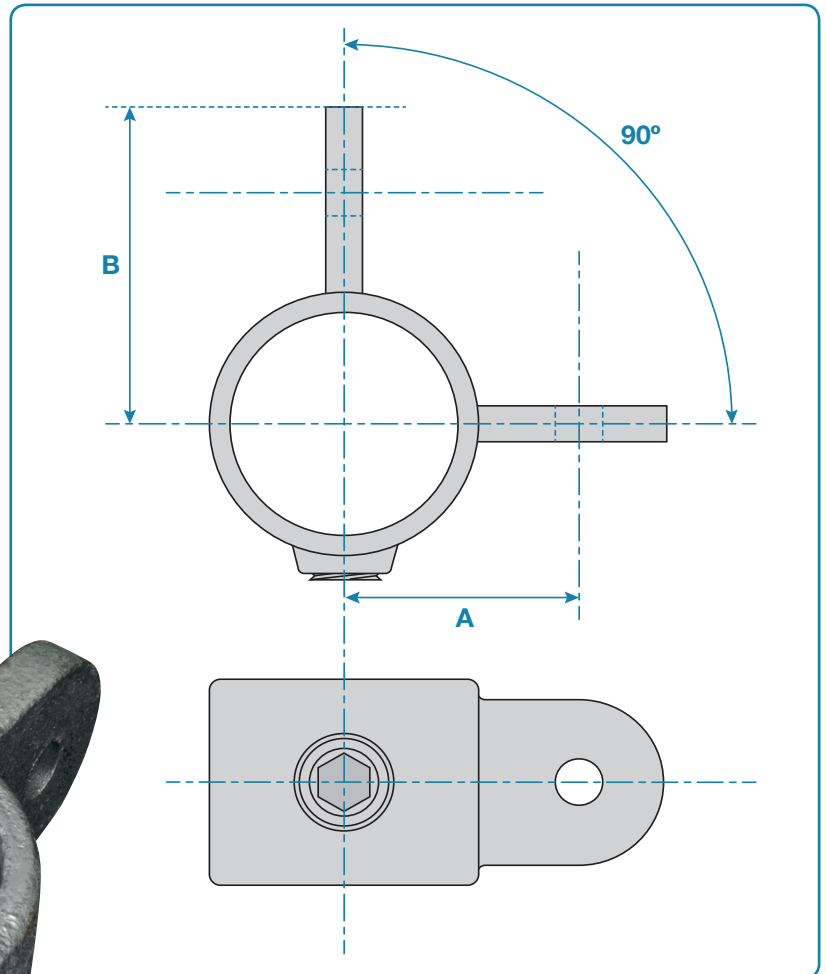


A double male in-line fitting with the lugs at 90° to each other, the male part of the KC168 swivel combination. This fitting can also be used to secure various types of infill panels in place at 90° to each other. This clamp does not allow tubes to be joined within the fitting. **NOT DESIGNED TO WITHSTAND LATERAL LOADS.**



Code	A	B	Weight
KC168MA	40mm	59mm	0.28kg
KC168MB	44mm	63mm	0.32kg
KC168MC	49mm	68mm	0.41kg
KC168MD	52mm	71mm	0.45kg