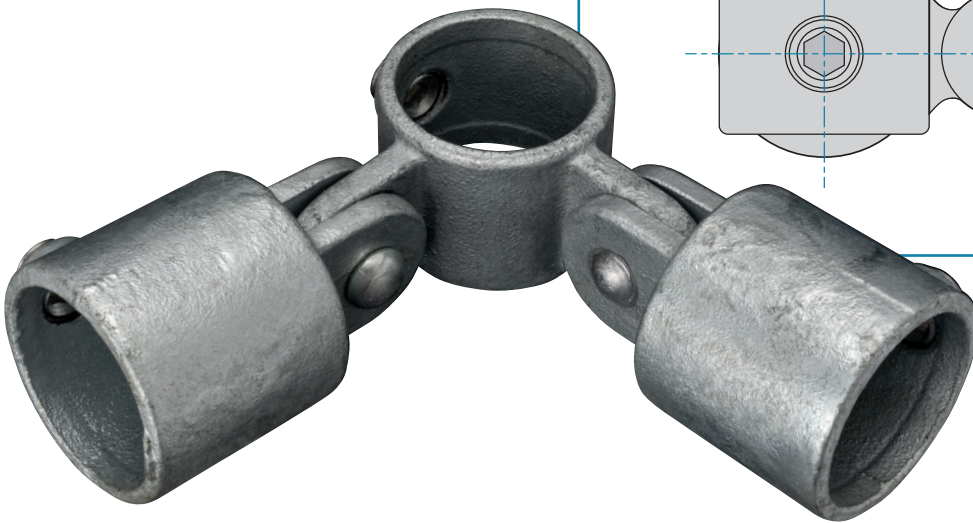
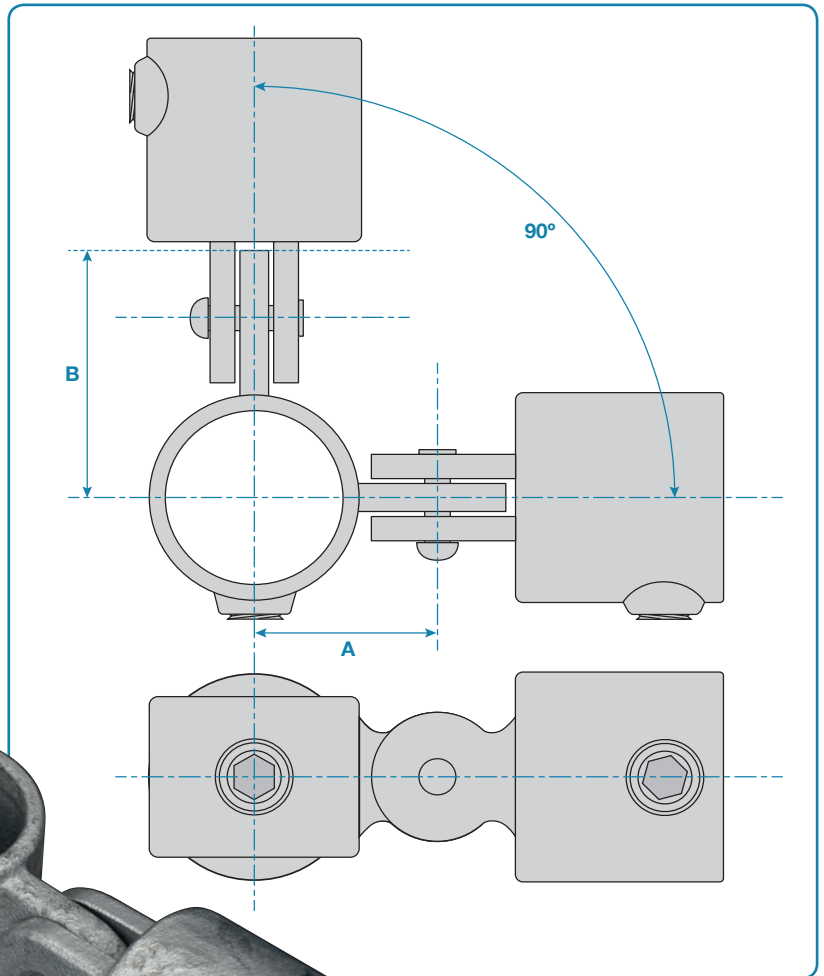


A corner combination fitting with the swivel connectors at 90° to each other, each swivel has a travel of approximately 85° from the horizontal in both directions. This clamp does not allow tubes to be joined within the fitting. NOT DESIGNED TO WITHSTAND LATERAL LOADS.



Code	A	B	Weight
KC168A	40mm	59mm	0.83kg
KC168B	44mm	63mm	0.99kg
KC168C	49mm	68mm	1.38kg
KC168D	52mm	71mm	1.62kg