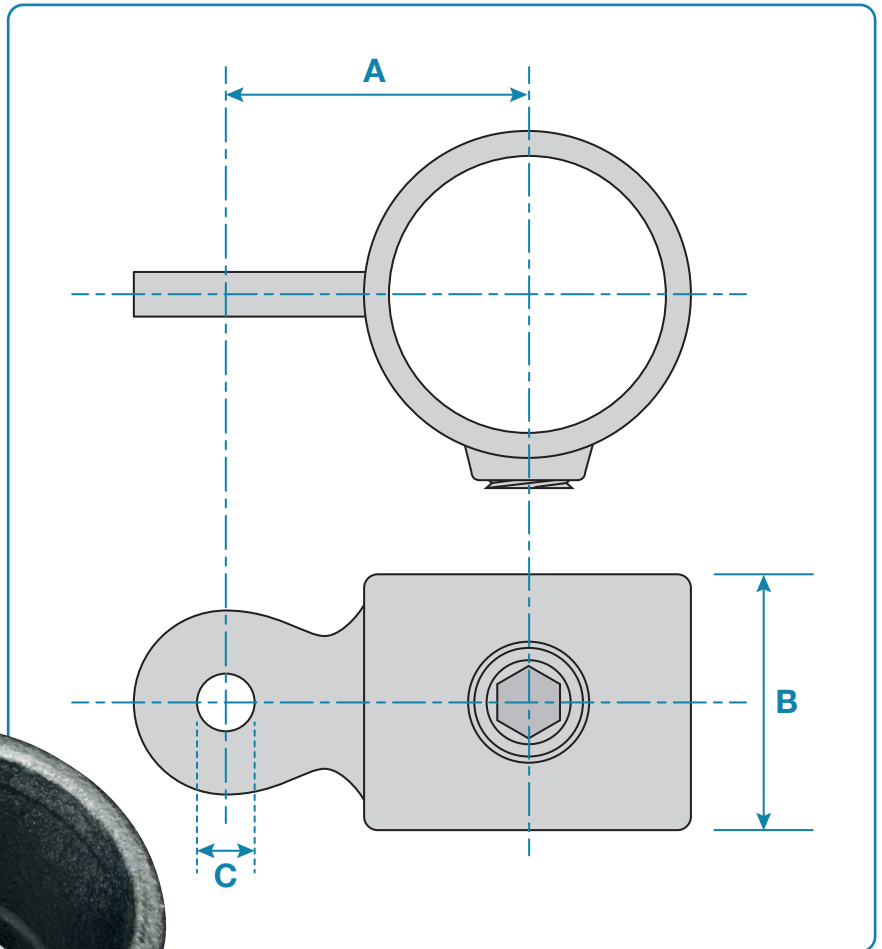


A single male in-line fitting with one lug, the male part of the KC173 swivel combination, it can also be used to secure various types of infill panel in place. THIS CLAMP IS NOT DESIGNED TO WITHSTAND LATERAL LOADS.



**Please Note:** Dimensions for guide only. Components may vary slightly from the sizes shown.

Updated: 20-01-2025

Code	A	B	C	Weight
KC173MA	40mm	39mm	11mm	0.20kg
KC173MB	44mm	39mm	11mm	0.24kg
KC173MC	49mm	45mm	11mm	0.33kg
KC173MD	52mm	45mm	11mm	0.37kg
KC173ME	60mm	50mm	11mm	0.51kg