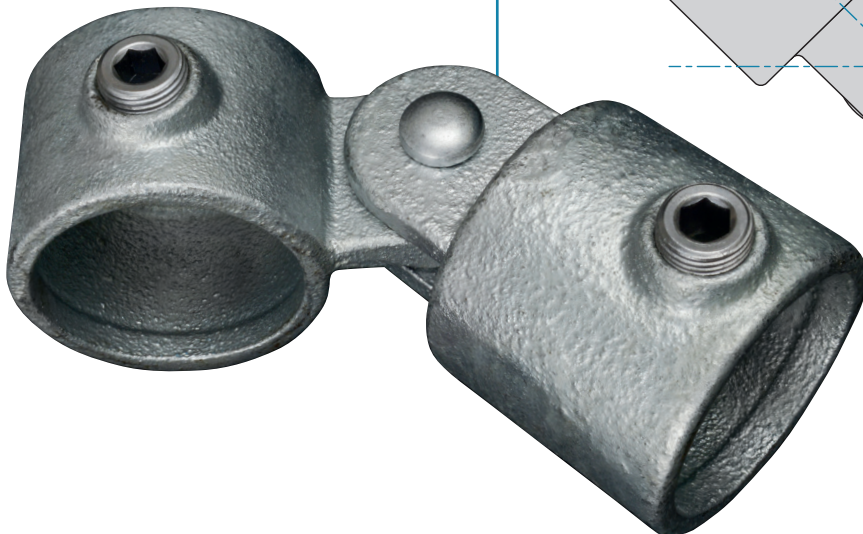
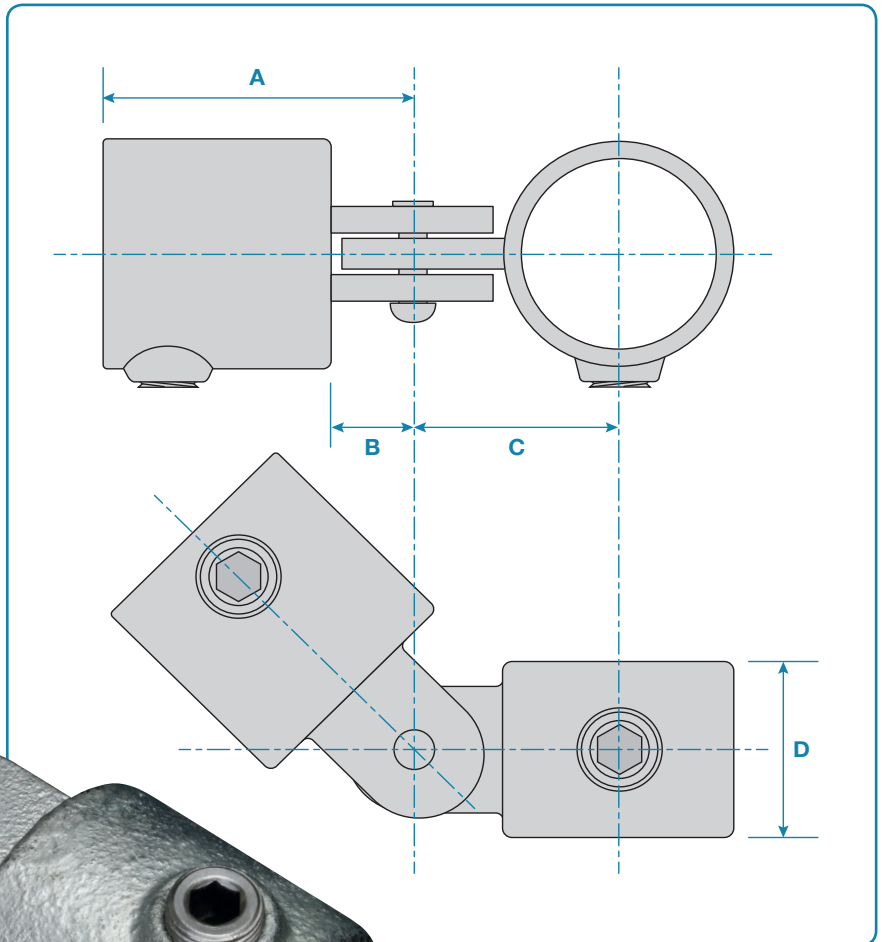


A single swivel combination fitting, the swivel has a travel of approximately 85° from the horizontal in both vertical directions. This fitting combines a KC173M and a KC173F. This clamp does not allow tubes to be joined within the fitting.
NOT DESIGNED TO WITHSTAND LOADS.



Code	A	B	C	D	Weight
KC173A	60mm	22mm	40mm	39mm	0.48kg
KC173B	72mm	22mm	44mm	39mm	0.58kg
KC173C	73mm	22mm	49mm	45mm	0.82kg
KC173D	78mm	22mm	52mm	45mm	0.96kg
KC173E	92mm	23mm	60mm	50mm	1.37kg