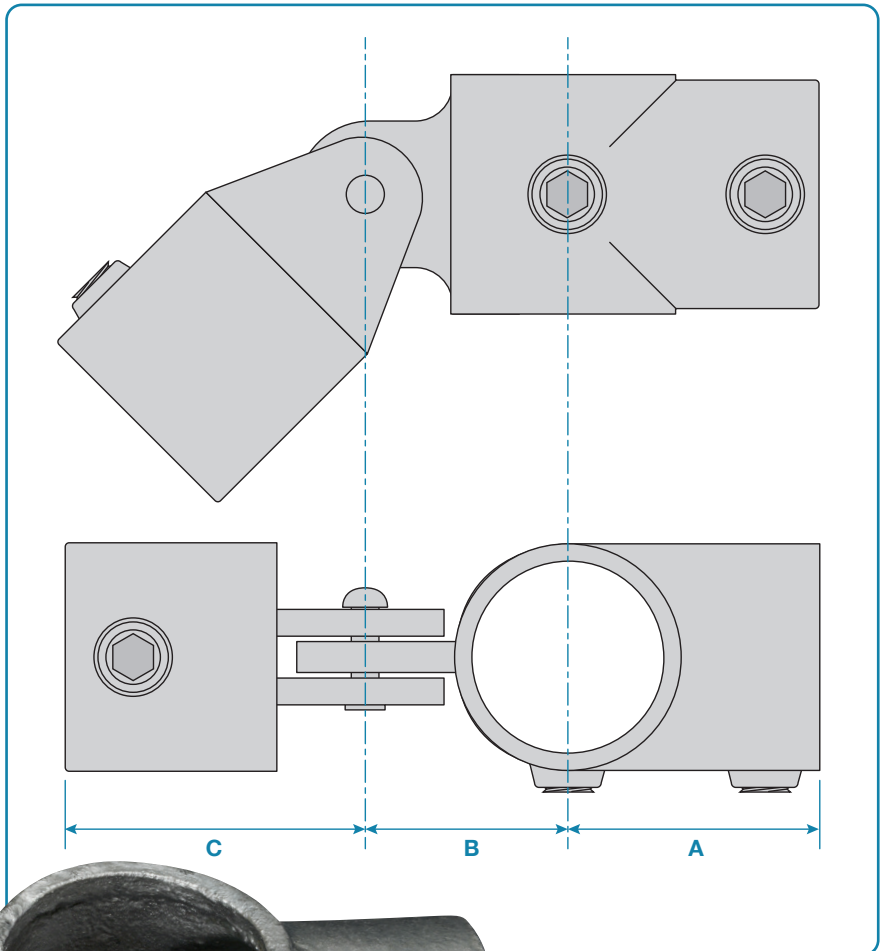


A short tee with swivel connection. Typically used as a brace where staircase top rails join level sections, riveted assembly. This clamp does not allow tubes to be joined within the fitting.



Please Note: Dimensions for guide only. Components may vary slightly from the sizes shown.

Updated: 10-07-2024

Code	A	B	C	Weight
KC174C	60mm	50mm	75mm	0.96kg
KC174D	70mm	65mm	75mm	1.34kg