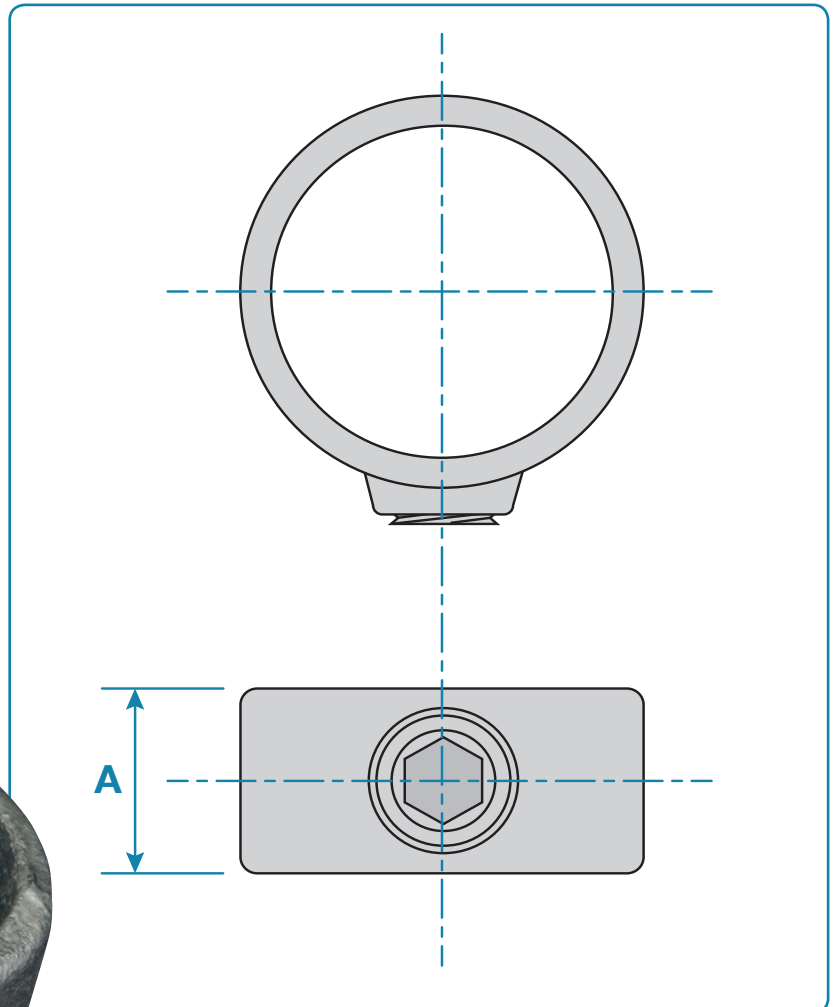


A simple locking ring fitting, typical used to provide extra support on structures such as racking systems where the slip load on the set screw may be exceeded. This clamp can also be used as the pivot point for a heavy duty gate hinge. This clamp does not allow tubes to be joined within the fitting.



Code	A	Weight
KC179A	24mm	0.08kg
KC179B	24mm	0.11kg
KC179C	28mm	0.17kg
KC179D	28mm	0.20kg