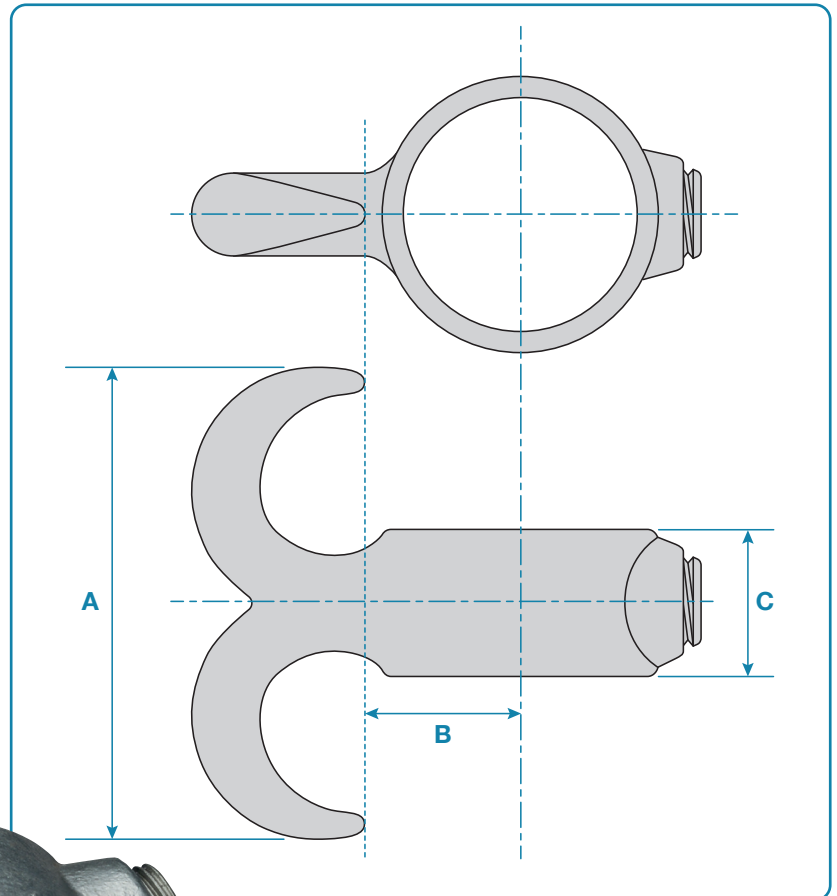


A simple double hook parallel to the tube direction, typical use is for locating chains in place across openings. It is not recommended as a permanent chain location. This clamp does not allow tubes to be joined within the fitting.



Please Note: Dimensions for guide only. Components may vary slightly from the sizes shown.

Updated: 21-05-2026

| Code | A | B | C | Weight |
|---------------|------|------|------|--------|
| KC186A | 80mm | 22mm | 25mm | 0.19kg |
| KC186B | 80mm | 25mm | 25mm | 0.21kg |