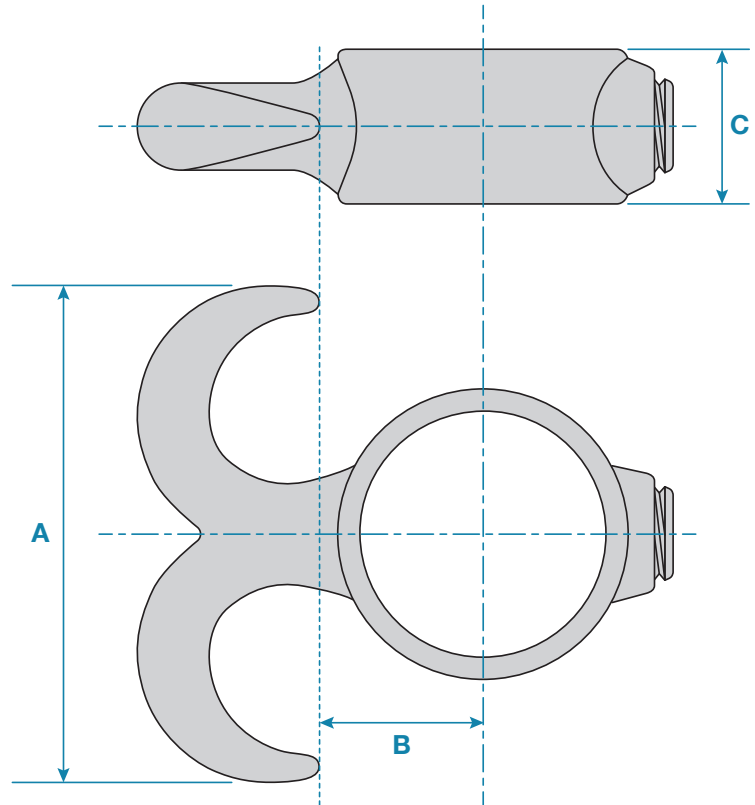


A simple double hook at 90° to the tube direction, typical use is for locating chains in place across openings. It is not recommended as a permanent chain location. This clamp does not allow tubes to be joined within the fitting.



**Please Note:** Dimensions for guide only. Components may vary slightly from the sizes shown.

Updated: 21-05-2026

Code	A	B	C	Weight
<b>KC187A</b>	80mm	20mm	24mm	0.20kg
<b>KC187B</b>	80mm	25mm	24mm	0.22kg