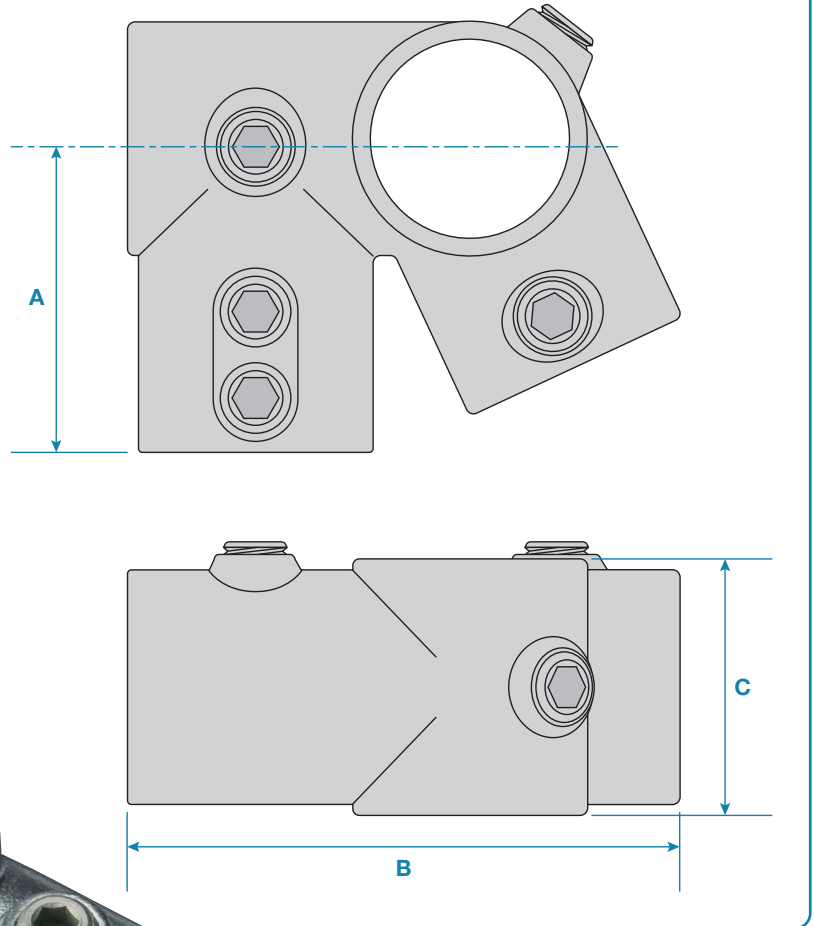


This fitting can be used to construct a roof eave for building constructed out of tube and clamp fittings. The fitting allows for the construction a 30° angle roof.



**Please Note:** Dimensions for guide only. Components may vary slightly from the sizes shown.

Updated: 21-05-2026

Code	A	B	C	Weight
<b>KC188D</b>	82mm	150mm	66mm	1.35kg