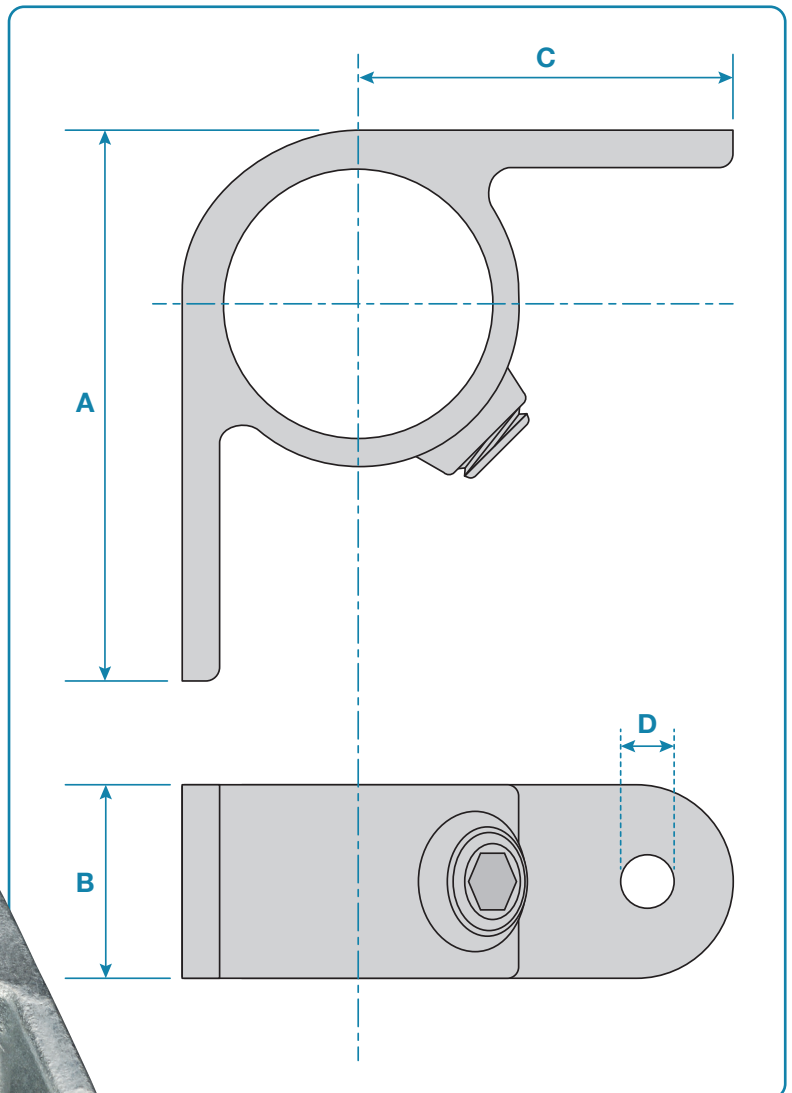


A 90° double lugged fixing bracket, normally used to fix boards or display panels almost flush to the tube. This clamp does not allow tubes to be joined within the fitting.



Please Note: Dimensions for guide only. Components may vary slightly from the sizes shown.

Updated: 21-05-2026

Code	A	B	C	D	Weight
KC196A	78mm	32mm	57mm	10mm	0.26kg
KC196B	84mm	32mm	60mm	10mm	0.32kg
KC196C	97mm	37mm	67mm	10mm	0.44kg
KC196D	102mm	37mm	70mm	10mm	0.49kg