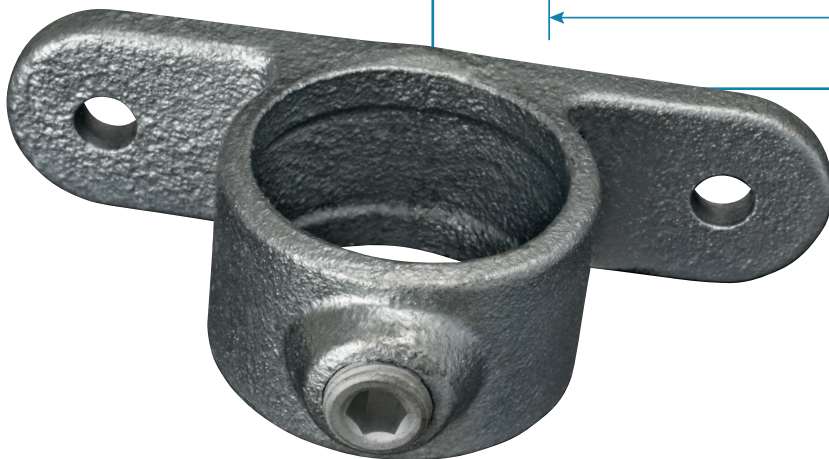
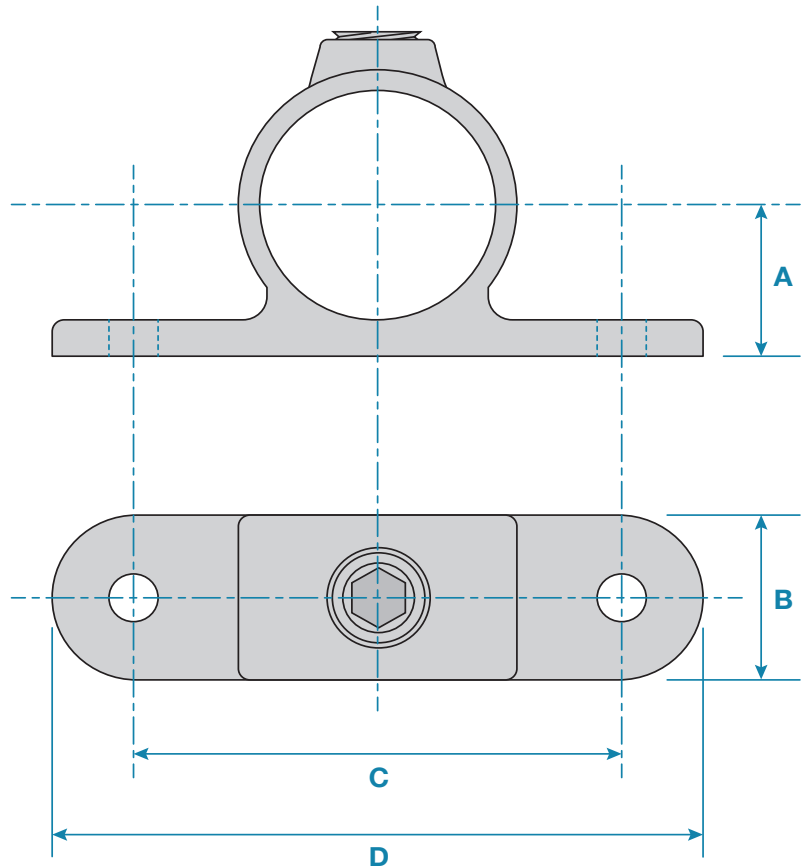


A double lugged fixing bracket, normally used to fix boards or display panels almost flush to the tube. This clamp does not allow tubes to be joined within the fitting.



Please Note: Dimensions for guide only. Components may vary slightly from the sizes shown.

Updated: 10-07-2024

Code	A	B	C	D	Hole dia.	Weight
KC198B	26mm	32mm	88mm	120mm	10mm	0.32kg
KC198C	30mm	36mm	98mm	134mm	10mm	0.46kg
KC198D	33mm	36mm	104mm	140mm	10mm	0.51kg