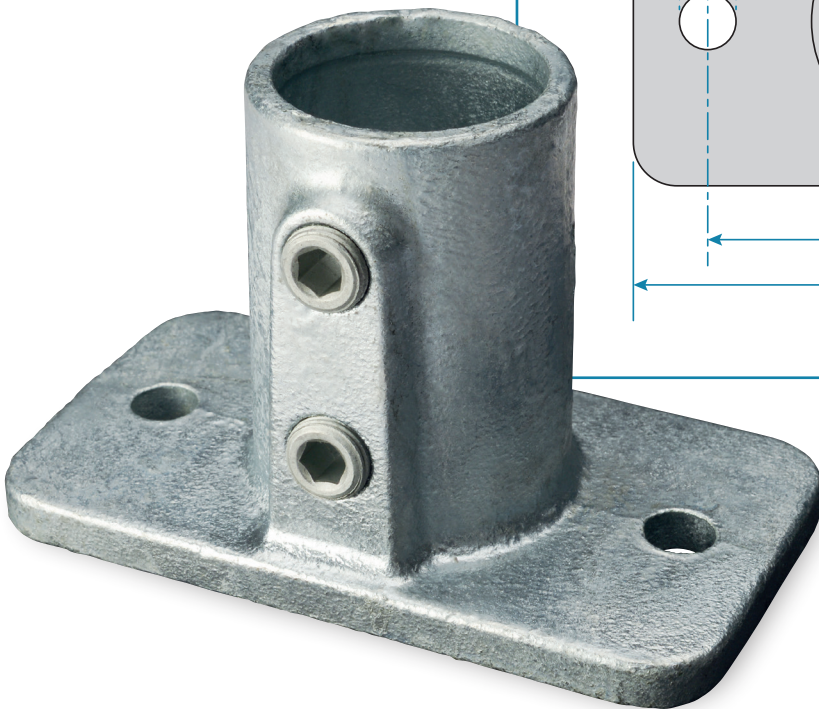
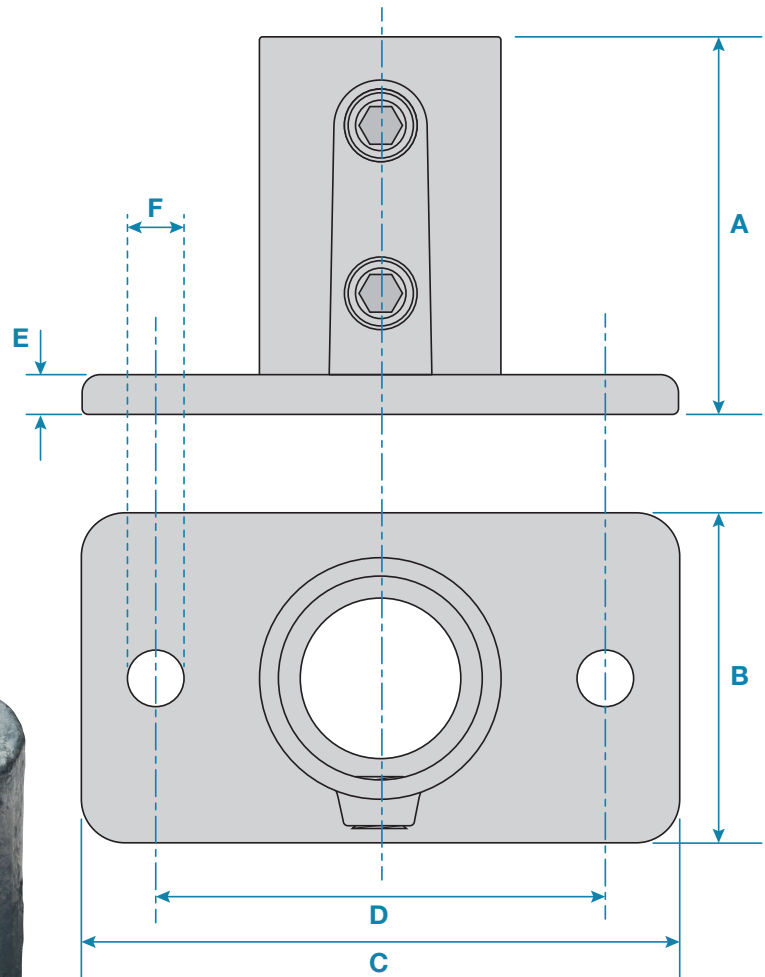


A structural base plate for all aspects of vertical post support. When using this fitting as the base plate for a guardrail system the fitting should be positioned with holes 90° to the line of the rails to give maximum stability.



Please Note: Dimensions for guide only. Components may vary slightly from the sizes shown.

Updated: 21-05-2026

Code	A	B	C	D	E	F	Weight
KC232D	95mm	84mm	150mm	111mm	11mm	13mm	1.32kg

DC Handrails & Ironwork Parts Ltd,
3 Whickham Industrial Estate, Swalwell, Newcastle upon Tyne, NE16 3DA

www.dcion.co.uk