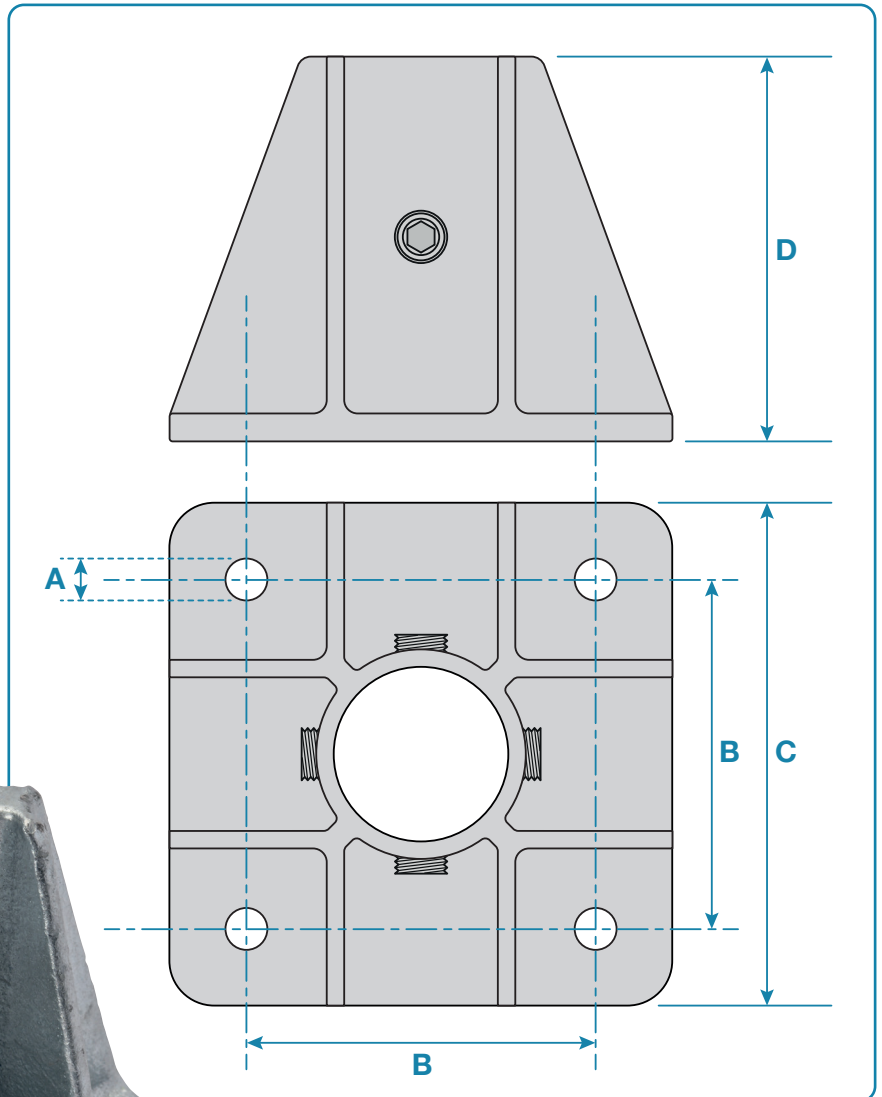
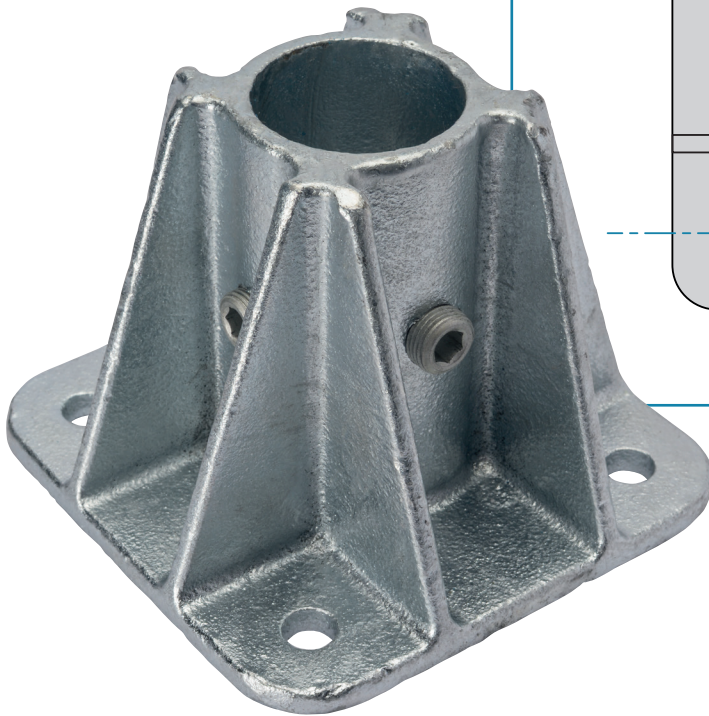


A heavy duty
base flange
fitting



Code	A	B	C	D	Weight
KC234D	12mm	100mm	145mm	110mm	2.85kg