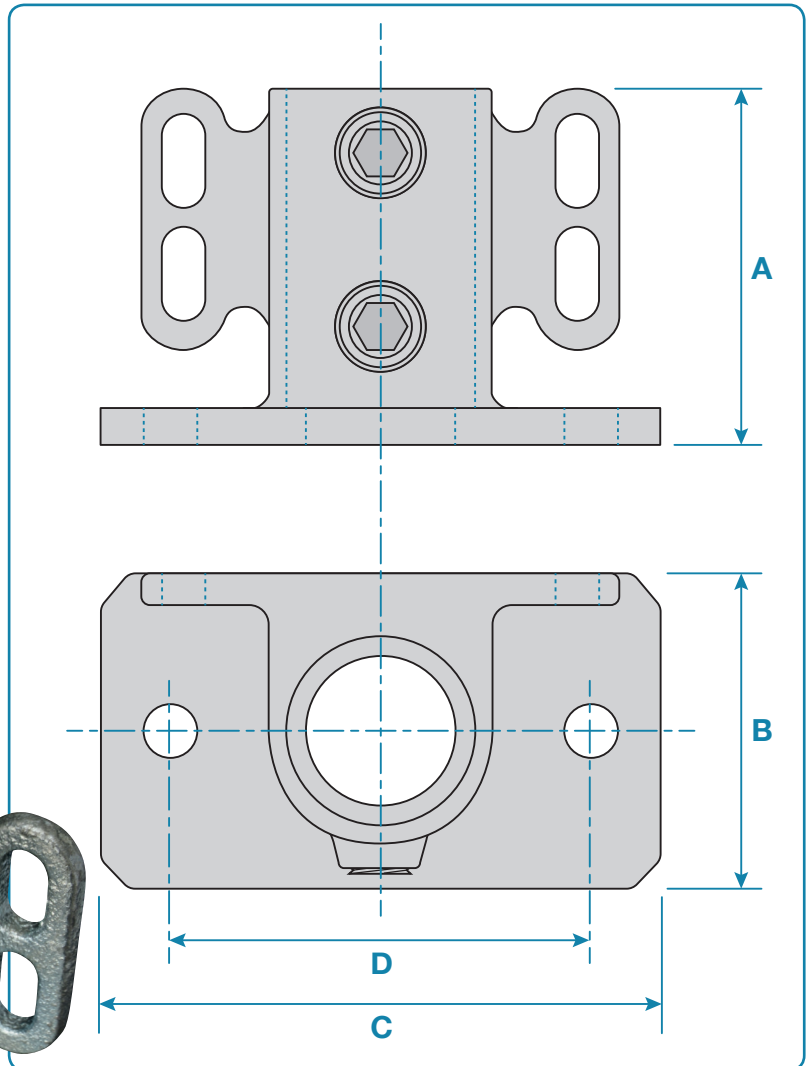


A base flange fitting with toe board attachment lugs. It is ideal as a base for the vertical on guardrails where the addition of a toe board or kicking flat is required.



Code	A	B	C	D	Hole dia.	Weight
<b>KC242C</b>	90mm	75mm	145mm	104mm	14mm	1.50kg
<b>KC242D</b>	95mm	84mm	150mm	112mm	14mm	1.64kg