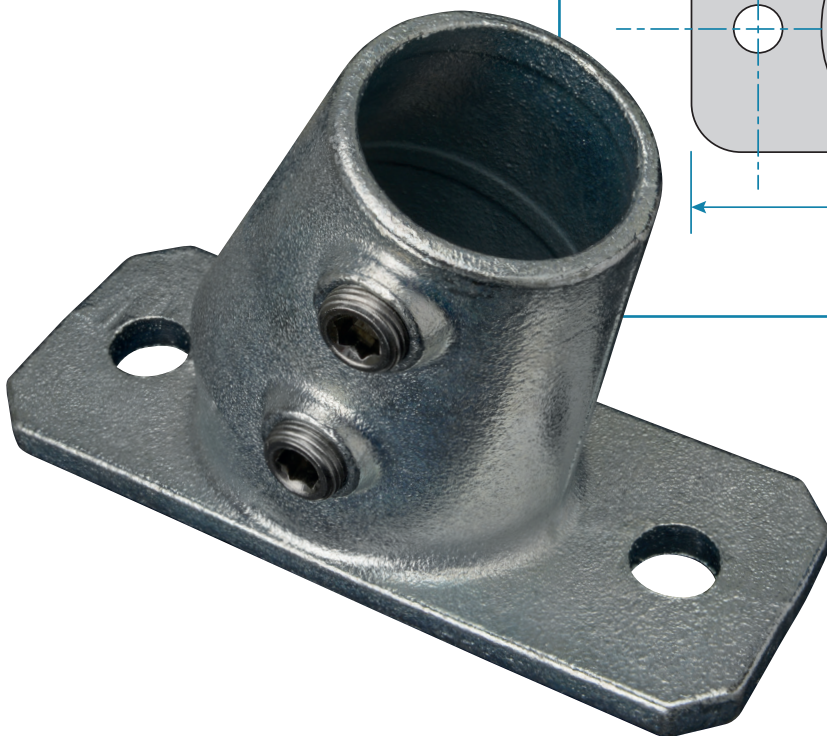
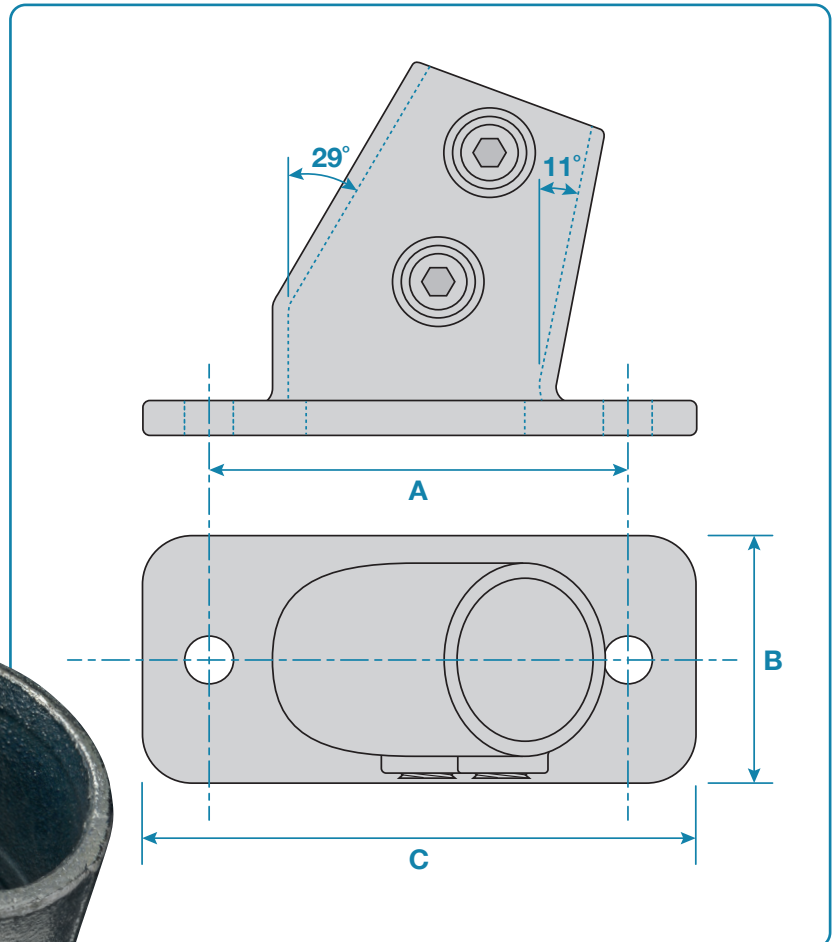


A base flange for sloping sites, adjustable from 11° and 30°. As the fixing holes in the base are not in line with applied load, it is only intended for light loads or structures which are sufficiently supported by virtue of their design.



Please Note: Dimensions for guide only. Components may vary slightly from the sizes shown.

Updated: 10-07-2024

Code	A	B	C	Hole dia.	Weight
KC252C	115mm	70mm	155mm	14mm	1.10kg
KC252D	125mm	75mm	165mm	14mm	1.53kg